

Solar Energy South Africa

Apx hv battery system Kyrgyzstan



Apx hv battery system Kyrgyzstan



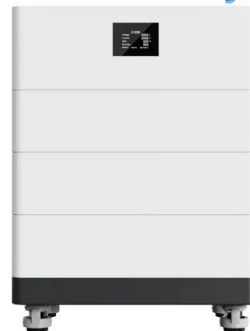
Growatt launches globally advanced battery for energy storage

"Protection includes an active Battery Management System (BMS) for each cell, a pack-level energy optimizer and built-in aerosol fire protection for each module, an arc-fault circuit interrupter (AFCI) and a replaceable fuse for the whole system." The APX HV system has an IP66 protection rating and smart self-heating technology to enable

[APX Commercial Battery , Battery System](#)

Battery System APX Commercial Battery. Home > Products > APX Commercial Battery. Key Features. Environment Adaptability - Wide temperature of -10°C~50°C - IP 66 Design. Safety and Reliability - Long-lasting and ultra safe LFP battery - Built-in modular energy optimization

High Voltage Solar Battery



Growatt launches globally advanced battery for ...

"Protection includes an active Battery Management System (BMS) for each cell, a pack-level energy optimizer and built-in aerosol fire protection for each module, an arc-fault circuit interrupter (AFCI) and a replaceable fuse for the whole ...



APX HV Battery

APX HV Battery · Flexible capacity options, 5kWh to 30kWh · Module level energy optimization · Support to mix new and old battery *1 When using different power modules, the max. charge/discharge power of the battery system is different, APX 55027-P0 is 6.2kW, APX 98020-P1 is 7.5 kW, APX 98034-P2 is 15kW.



APX HV Battery

APX HV Battery · Flexible capacity options, 5kWh to 30kWh · 100% depth of discharge · Module level energy optimization (single phase system APX 10.0P APX 15.0P APX 20.0P APX 25.0P APX 30.0P Energy Capacity 1 Altitude Warranty Dimension(W/D/H) Weight Communication port Operating voltage range



APX Commercial Battery , Sistema de batería

APX Commercial Battery. 129-200kWh. LFP. IP66. Inicio > Productos > APX Commercial Battery. Características principales. Adaptabilidad al entorno - Amplia temperatura de -10°C~50°C - IP66. Seguridad y fiabilidad - Batería LFP de larga duración y ultra segura - Optimización energética modular integrada



APX HV Battery , Battery System , Growatt

Battery System APX HV Battery. APAC. English (Worldwide) The APX battery system adopts cobalt free LiFePO4 chemistry and four-level protection by BMS, modular energy optimizer, fuse, and aerosol to ensure its enhanced safety, reliability, and long lifespan. Furthermore, the

modular energy optimization ensures the system fully use every pack

APX HV Battery US Market

APX 55042-P0-US 1 Installation Operating ambient temperature Relative humidity 5kWh Nominal voltage Operating voltage range APX 10.0P-S0-US APX 15.0P-S0-US APX 20.0P-S0-US APX 25.0P-S0-US APX 30.0P-S0-US Nominal Energy Nominal power*1 Noise Warranty Dimension(W/D/H) Weight Communication port Maximum current Peak current Monitoring ...

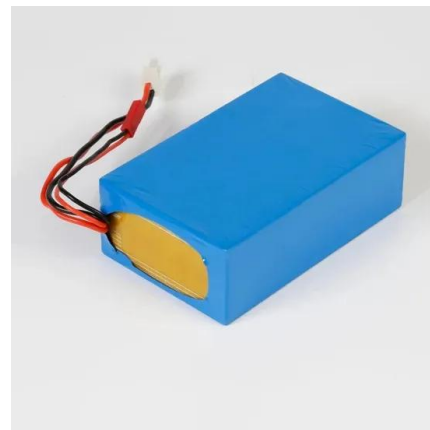


Growatt launches globally advanced battery for energy ...

Growatt has announced the launch of a one-fits-all APX HV battery, incorporating innovations in performance, operation, protection and installation. Integrated with novel soft-switching parallel connection technology, the new product delivers ...

APX 71-114kWh Battery System

·Support to mix new and old battery modules in one system ·Easy installation with modular and stacked design ·Long lifespan, 10 years warranty APX 71-114kWh Battery System Preliminary Version *APX series battery has an EU model and a General model,the storage inverters sold in European countries only work with EU model APX battery



APX HV Battery

APX 98020-P1/APX 98034-P2 1 u otoczenia dla pracy Wilgotnosc wzgledna SHENZHEN



GROWATT NEW ENERGY CO.,LTD 5kWh. A:
4-13/F,Building A,Sino-German(Europe)Industrial
Park,Hangcheng Ave,Bao'an
District,Shenzhen,China T: + 86 755 2747 1900
F: + 86 755 2749 1460 E: info@ginverter APX
10.0P APX 15.0P APX 20.0P APX 25.0P APX 30.0P
Moc ...

APX HV Battery , Battery System , Growatt

Battery System APX HV Battery. APAC. English (Worldwide) The APX battery system adopts cobalt free LiFePO4 chemistry and four-level protection by BMS, modular energy optimizer, fuse, and aerosol to ensure its enhanced safety, reliability, and long lifespan. Furthermore, the modular energy optimization ensures the system fully use every pack



???????????????? , APX HV Battery , ?????????? ...

APX HV Battery ?????????????????? ??????: LFP(????)
????: -- ?? :???? ?????? ?? : ?????????????
?????????????????

Growatt APX HV Batteriespeicher Komplettsset 5

Der APX Solar-Batteriespeicher von Growatt hat eine Kapazität von 5kWh. Durch den modularen Aufbau dieses Systems kann die Kapazität, je nach Bedarf auf bis zu 30kWh erhöht werden. Der Batterieturm kann mit mindestens 1 bis

maximal 6 APX Hochvoltbatterien errichtet werden.



 LFP 280Ah C&I

Highvoltage Battery



Growatt APX HV Battery definierar nyligen hembatteriet

Growatt APX HV Battery definierar nyligen hembatteriet; Luke . B2B Partihandel. Tack vare den integrerade energioptimeraren för packnivå kan hembatteripaketen med olika kapacitet blandas i ett system, varje batteripaket kan bidra med ström separat efter behov och utföra automatisk balansering, vilket innebär att varje batteri alltid

APX HV Battery

APX HV Battery ·Flexible capacity options, 5kWh to 30kWh · Module level energy optimization · Support to mix new and old battery (single phase system APX 10.0P APX 15.0P APX 20.0P APX 25.0P APX 30.0P Energy Capacity 1 Altitude Warranty Dim ension(W/D/H) Weight Communication port Operating voltage range



Growatt APX batterijsysteem

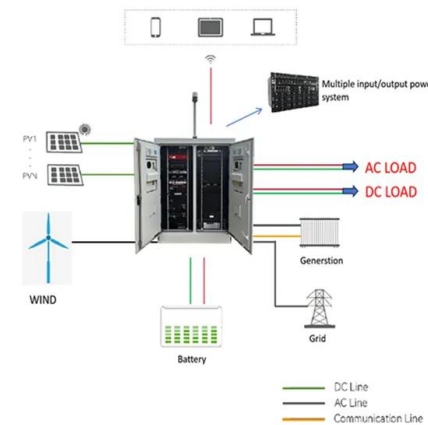
Het APX batterijsysteem heeft een vierlaags beschermingssysteem bestaande uit een BMS, modulaire energie-optimalisator, zekering en aërosol, om optimale betrouwbaarheid en een lange levensduur te garanderen. De APX

98034-P2 BMS (battery management system) is het hart van een APX batterijsysteem. Hij communiceert via CAN/RS485 met de Growatt



Akumulator APX HV , System akumulatorowy , Growatt

W systemie akumulatorowym APX wykorzystano bezkobaltowa LiFePO4 i czteropoziomowa ochronie systemu BMS, modułowy optymalizator energii, bezpiecznik i aeroszol, aby zapewnić większe bezpieczeństwo, niezawodność i długą żywotność.



CE UN38.3 MSDS

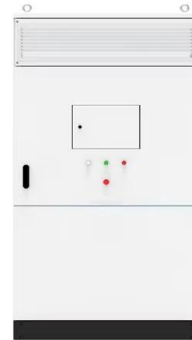


APX HV Battery , Battery System , Growatt

Battery System APX HV Battery. 5-30kWh. LFP. Modular Optimizer. APAC. The APX battery system adopts cobalt free LiFePO4 chemistry and four-level protection by BMS, modular energy optimizer, fuse, and aerosol to ensure its enhanced safety, reliability, and long lifespan. Furthermore, the modular energy optimization ensures the system fully

[Batterie APX HV , Système de batterie](#)

Batterie APX HV. Accueil > PRODUITS > Batterie APX HV. PRINCIPALES FONCTIONNALITÉS. Adaptabilité à l'environnement - Température étendue de -10°C ~ 50°C - Conception IP 66.



Growatt New Energy , APX HV Battery , Solar Storage System

...

Shenzhen Growatt New Energy Technology Co., Ltd. Solar Storage System Series APX HV Battery. Detailed profile including pictures and manufacturer PDF FelicityESS - Stacked High Voltage Battery Pack LUX-X-96050HG01 From EUR309 / kWh Product Info Company Profile

[APX HV Battery](#)

APX 98020-P1/APX 98034-P2 1 Installation
Operating ambient temperature Relative
humidity 5kWh SHENZHEN GROWATT NEW
ENERGY CO.,LTD. A: 4-13/F,Building A,Sino-
German(Europe)Industrial Park,Hangcheng
Ave,Bao'an District,Shenzhen,China T: + 86 755
2747 1900 F: + 86 755 2749 1460 E:
info@ginverter APX 10.0P APX 15.0P APX 20.0P

...



[Growatt APX HV Batteri På 5 KWh](#)

Growatt APX HV batteri på 5 kWh. Growatt APX HV batteri er en avanceret energilagringssystem designet til både private og erhvervs-mæssige applikationer. Med høj kapacitet og avanceret teknologi sikrer dette batteri en effektiv lagring

af solenergi eller andre vedvarende energikilder.



APX HV Battery??

APX HV Battery · Flexible Kapazitätsoptionen, 5kWh zu 30kWh · 90% Entladetiefe · Module-level-energy Optimierung · Unterstützt die Kombination von neuen Bei Verwendung des APX 98034-P2 Battery Systems beträgt die maximale Lade-/Entladeleistung 15 kW, die maximale Lade-/Entladeleistung des Systems wird auch durch die



Contact Us

For catalog requests, pricing, or partnerships, please visit:
<https://ian-solar.co.za>