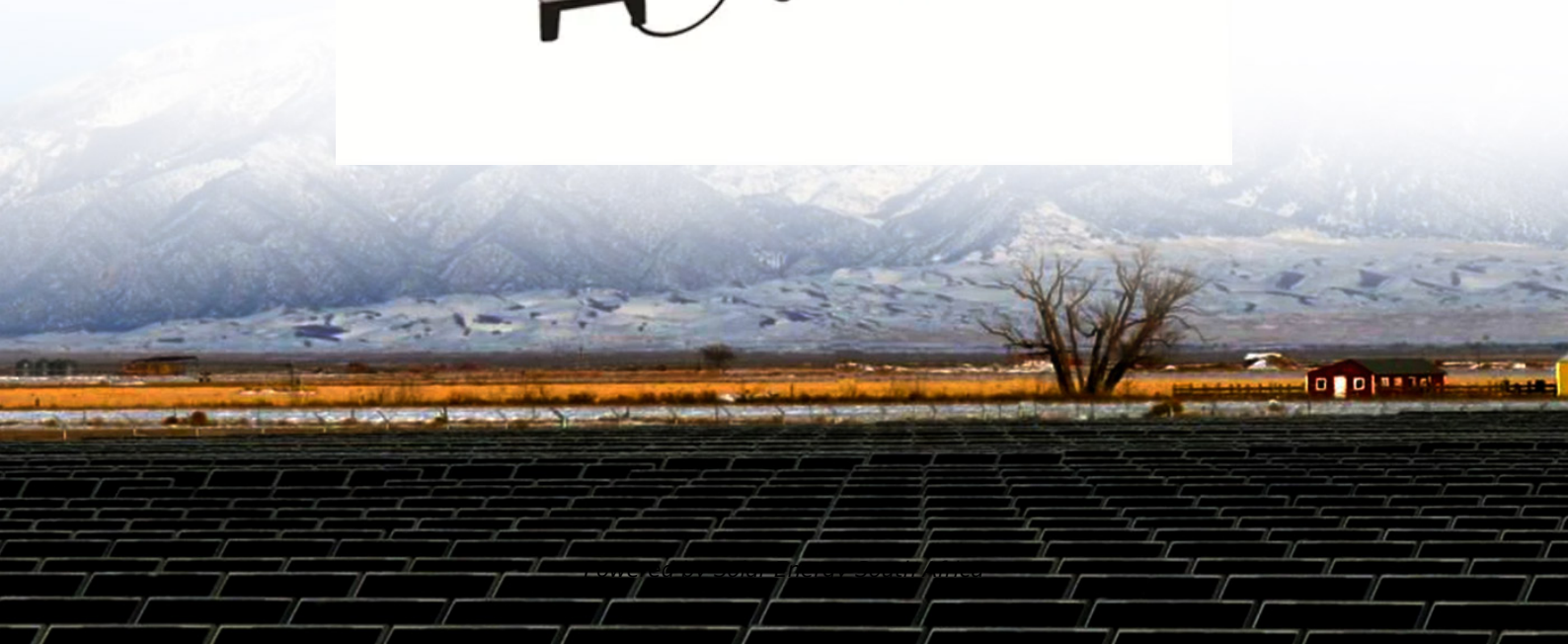


## Solar Energy South Africa

# Central African Republic home solar system with battery storage



## Overview

---

Where is Central African Republic launching a new solar park?

BANGUI, November 17, 2023 – Today, the Central African Republic is launching a new 25-megawatt solar park with battery storage in Danzi village, located around 18 kilometers from Bangui. The park will supply electricity to 250,000 persons in the capital, almost doubling the country's electricity generation capacity.

Will Central African Republic have electricity by 2030?

By 2030, almost half of the population of the Central African Republic should have access to electricity, compared to only 16% at present. Today, the Central African Republic is launching a new 25-megawatt solar park with battery storage in Danzi village, located around 18 kilometers from Bangui.

Why is Central African Republic investing in electricity?

With an electrification rate of 35% in Bangui, 8% in the main provincial cities and towns, and only 2% in rural communes, the Central African Republic has invested in the energy sector as an engine of development to increase access to electricity and promote sustainable growth.

Will a large solar plant in Bangui help other countries?

Residents in Bangui used to face up to 16 hours of load shedding with health facilities, schools, and shops with no electricity. Now they will have much greater access to power, driving productivity and job creation. The commissioning of such a large solar plant in CAR provides hope for other countries.

How will the Danzi solar plant benefit the government?

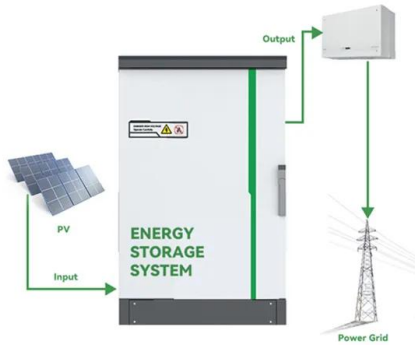
The Danzi solar plant will replace more than 90% of the energy currently produced by diesel, resulting in annual savings of \$4 million in fuel costs for the government. It will also contribute to a net reduction in emissions of

670,674 tons of CO<sub>2</sub>.

Where is Danzi solar plant located?

Danzi solar plant is located 18 kilometers from the capital city of Bangui, CAR. Plagued by decades of conflict, political instability and low growth, CAR has one of the world's highest rates of poverty – almost 7 out of 10 people are extremely poor. More than half are unable to afford enough food, and just 2.5% of CAR's road network is paved.

## Central African Republic home solar system with battery storage



### List of Upcoming Battery Energy Storage System (BESS) Projects ...

Title: Grid-Scale Battery Energy Storage Systems in Central African Republic: Current Scenario, Drivers, and Outlook Introduction The Central African Republic (CAR), a landlocked nation in the heart of Africa, is rich in natural resources but faces numerous challenges in its energy sector due to political instability, poverty, and inadequate

### AES Dominicana Andres - Battery Energy Storage System, Dominican Republic

The market for battery energy storage is estimated to grow to \$10.84bn in 2026. The fall in battery technology prices and the increasing need for grid stability are just two reasons GlobalData have predicted for this growth, with the integration of renewable power holding significant sway over the power market.



### Battery energy storage: the challenge of playing catch up

Battery energy storage systems: the technology of tomorrow. The market for battery energy storage systems (BESS) is rapidly expanding, and it is estimated to grow to \$14.8bn by 2027. In 2023, the total installed capacity of BES stood at 45.4GW and is set to increase to 372.4GW in 2030.

## Top Solar Battery Wholesalers Suppliers in Dominican Republic

Wholesale Solar Battery for sale! A solar battery is a device that is charged by a connected solar system and stores energy as a backup for consuming later. Users can consume the stored electricity after sundown, during peak energy demands, or during a power outage. Why Use Solar Power Storage? Using a solar battery can help users to reduce the amount of electricity they ...



## Central African Republic: Solar plant construction to begin in Q4

Procurement for a contractor to design, supply and install a 25MW solar power plant with 25MWh battery storage in the Central African Republic is under way and construction is expected to begin during Q4 2019, the World Bank Group (WBG) has confirmed to African Energy. The Bangui solar photovoltaic (PV) project is being fully funded by a \$48m grant from ...

## Top Solar Battery Distributors Suppliers in Central African Republic

Wholesale Solar Battery for sale! A solar battery is a device that is charged by a connected solar system and stores energy as a backup for consuming later. Users can consume the stored electricity after sundown, during peak energy demands, or during a power outage. Why Use Solar Power Storage? Using a solar battery can help users to reduce the amount of electricity they ...



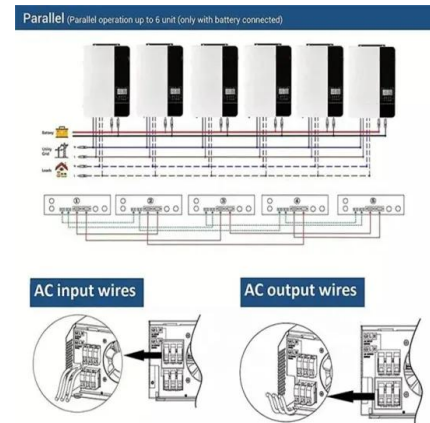


## Top Solar Equipment Manufacturers in Central African Republic

In the simplest terms, manufacturing is the process of producing actual goods or items/products through the use of raw materials, human labour, use of machinery, tools and other processes such as chemical formulation. This process usually starts with product designing and raw material selection, turning them into an actual product output. Solar Products Manufacturers and ...

### SPN

The Government of the state of Eritrea has received financing from the African Development Fund (ADF) hereinafter called the Bank toward the cost of Dekemhare Solar PV Project and intends to apply part of the proceeds toward payments under the Contract for Procurement of Design, Supply, and Installation of 30 MW Solar PV Plant, Battery Storage ...



## Power plant profile: Bangui Solar PV Park, Central African Republic

Bangui Solar PV Park is a 40MW solar PV power project. It is planned in Bangui, Central African Republic. According to GlobalData, who tracks and profiles over 170,000 power plants worldwide, the project is currently at the partially active stage. It will be developed in multiple phases.

**Empower New Energy Delivers**

## First-of-Its-Kind Solar PV + Battery ...

The Abule Egba site features a 270 kWp solar installation paired with a 600 kWh battery system, while the Ikorodu site boasts a 400 kWp solar array and an 800 kWh battery storage system. All installations are equipped with ComAp's smart energy management technologies, which facilitate the seamless integration and operation of the solar panels



12V 10AH



## Top Lithium-Ion Battery Suppliers in Dominican Republic

This is primarily due to its issuance law 57-07 of 2007. The edict created incentives for renewable energy generation in the Dominican Republic. The Dominican Republic's solar equipment supply capacity. As the leading economy in Central America, the Dominican Republic is home to several solar equipment manufacturers and distributors.

## The 8 Best Solar Batteries of 2024 (and How to Choose the Right ...)

From backup power to bill savings, home energy storage can deliver various benefits for homeowners with and without solar systems. And while new battery brands and models are hitting the market at a furious pace, the best solar batteries are the ones that empower you to achieve your specific energy goals. In this article, we'll identify the best solar batteries in ...



## Central African Republic: Danzi solar plant commissioned near

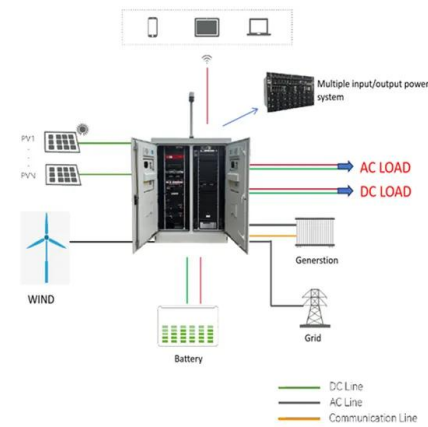


...

A solar PV and battery energy storage plant has been commissioned at Danzi, 18km north-west of the capital Bangui, according to the World Bank Group. The plant is a significant addition to CAR's under-developed grid, which had a total of 49.65MW online prior to Danzi's commissioning, according to African Energy Live Data. During the Danzi ...

## Solar Battery Powered Wifi Outdoor Pan/Tilt Home Security Camera System

(Only support 2.4GHz WiFi, not support 5GHz WiFi). PTZ Function & SD card & Cloud storage. ARCCTV app No hidden costs, subscription plans are optional and the cloud can be closed manually. No electrical wiring jobs.



## Best solar battery storage for your home [2023]

Overall Best Battery: Tesla Powerwall 2. There's no doubt that if you've been on the hunt for a solar battery for a while, you'll be familiar with the Tesla Powerwall 2. Arguably one of the best deep cycle batteries for solar on ...

## Central African Republic: Construction to start on Bangui solar ...

Construction will start at the 25MWp Bangui Solar PV plant, which includes 25MWh of battery storage, in April, and commercial operations are expected in June 2022, the World Bank Group (WBG)'s Boris Ngouagouni told African Energy. Ngouagouni said Covid-19 had not significantly



delayed the project. The WBG signed an engineering, procurement and ...



## Sustainable energy storage for solar home systems in rural Sub ...

The high number of sunny hours each season make solar energy an obvious choice to explore for the area (Fig. 2) [7, 8], and it is a particularly attractive option for North-eastern and Southern Africa, where annual solar radiation ranges from 2400 to 2800 kWh/m<sup>2</sup> [3, 4, 9]. African governments have set ambitious targets for PV installation.

## Home

Optima Solar Systems Limited specializes in delivering a complete array of solar energy solutions. From cutting-edge hybrid inverter installations to robust lithium-ion battery storage and integrated home security systems, we offer services across Accra and throughout Ghana.



## Mitigating noise from battery energy storage systems (BESS)

Date & Time: 7 November 2024 at 5pm CET  
 Organizer: ATA Insights  
 Description: As more wind and solar PV generation is added to the grid, Battery Energy Storage Systems (BESS) are playing a crucial role in integrating variable renewables into a reliable grid. However, the noise generated by these systems, ranging from 65 to 80 dBA can be a concern for nearby communities, with ...

## Solar Battery Storage Solutions , Save Energy , Soltaro

Explore our Solar Battery Storage Solutions - lower your energy bills and carbon footprint with innovative products from Soltaro. you can use excess solar to power your home's devices and lower your bills and your dependence on the grid. read more. Why the all-in-one from Soltaro? 10 Year Warranty AIO3 ESS Three Phase Power System; 10



## Best solar battery storage for your home [2023]

Overall Best Battery: Tesla Powerwall 2. There's no doubt that if you've been on the hunt for a solar battery for a while, you'll be familiar with the Tesla Powerwall 2. Arguably one of the best deep cycle batteries for solar on the market, this model is well known for its high efficiency, capacity and its ability to be seamlessly added to an existing or new system.



## Expansion of Clean Energy Access in the Central African Republic

In a landmark move toward sustainable development, the Central African Republic has inaugurated a groundbreaking 25-megawatt solar park, equipped with battery storage, situated in the Danzi village, just a short distance from Bangui.

## Growatt launches globally advanced battery for energy storage



"Protection includes an active Battery Management System (BMS) for each cell, a pack-level energy optimizer and built-in aerosol fire protection for each module, an arc-fault circuit interrupter

## About Us

Aptech Africa Ltd. is the EPC company of choice for solar energy and water pumping in Africa. It has offices located in South Sudan, Uganda, Central African Republic, Sierra Leone, Niger and Liberia. Aptech Africa was founded in 2011 as a distribution and installation company for some of the most reputable brands from Europe and the US.



## Contact Us

---

For catalog requests, pricing, or partnerships, please visit:  
<https://ian-solar.co.za>