

Solar Energy South Africa

DR Congo agr power limited



Overview

The Democratic Republic of the Congo has reserves of , , , and a potential power generating capacity of around 100,000 MW. The on the has the potential capacity to generate 40,000 to 45,000 MW of electric power, sufficient to supply the electricity needs of the whole Southern Africa region. Ongoing uncertainties in the political arena, and a resulting lack of interest from investors has meant that the Inga Dam's potential ha.

How much electricity does the DR Congo import?

The DR Congo imported 78 million kWh of electricity in 2007. The DR Congo is also an exporter of electric power. In 2003, electric power exports came to 1.3 TWh, with power transmitted to the Republic of Congo and its capital, Brazzaville, as well as to Zambia and South Africa.

Is the Democratic Republic of the Congo an energy exporter?

One of the Inga dams, a major source of hydroelectricity in the Democratic Republic of the Congo. The Democratic Republic of the Congo was a net energy exporter in 2008. Most energy was consumed domestically in 2008. According to the IEA statistics the energy export was in 2008 small and less than from the Republic of Congo.

How much power does the Democratic Republic of the Congo have?

The Democratic Republic of the Congo has reserves of petroleum, natural gas, coal, and a potential hydroelectric power generating capacity of around 100,000 MW. The Inga Dam on the Congo River has the potential capacity to generate 40,000 to 45,000 MW of electric power, sufficient to supply the electricity needs of the whole Southern Africa region.

What is the Congo Energy Atlas?

This Atlas was created by the UNDP, Netherlands Development Organization SNV, and the Congolese Ministry of Water Resources and Electricity. It has 600 interactive maps and informs policymaking on decentralizing energy and encourages further renewable energy investments.

What is the government's vision for power generation in Congo?

The government's vision is to increase the service level to 32 percent by 2030. Lack of access to modern electricity services impairs the health, education, and income-generating potential of millions of Congolese people. Most power generation development is directed and funded by mining companies seeking to power their facilities.

DR Congo agr power limited



[AGR POWER LIMITED charges](#)

More for AGR POWER LIMITED (08239642) Filter charges Filter charges Outstanding / part satisfied 2 charges registered 1 outstanding, 1 satisfied, 0 part satisfied Charge code 0823 9642 0002. Satisfy charge 0823 9642 0002 on the Companies House WebFiling service. Created 11 August 2023 Delivered 11 August 2023

DRC to build 200 MW hydroelectric power plant

3 ??? Afreximbank, the African Export-Import Bank, has signed a financing agreement under its project preparation facility for a private sector renewable energy project in the Democratic Republic of Congo (DRC), marking a ...



[Democratic Republic of the Congo](#)

With 80 million hectares of arable land, four million hectares of irrigated land, and many rivers with important fishery resources, the DRC has the potential to become a global agricultural power. Although the agricultural sector employs over 60 percent of Congolese and comprises 19.7 percent of GDP, it fails to ensure food security and

Integrated soil fertility management: from concept to practice in

Soybean is an important crop in the Democratic Republic of Congo, a country faced with high levels of war induced malnutrition but its productivity is limited by poor soil fertility coupled with



Modelling the impact of past and future land-use changes on land ...

Description of the study area. This study was conducted in the Kalehe territory which is located in the South Kivu province of the DR Congo of Congo (Fig. 1). This territory is bordered by the North-Kivu province (territories of Masisi and Walikale) to the north, Lake Kivu to the east, the territory of Mwenga to the west, and the territory of Kabare to the south.

Energy Consultancy, Resourcing and Software

Access to a world of expertise. Whether it's providing a well-matched well intervention team, highly skilled expert consultant, reserves and resources assessment, drilling time management software or blowout contingency plan and decarbonisation solutions, AGR is well-placed to support the energy industry at every stage in your project's lifecycle.



Power Africa in Democratic Republic of the Congo

Power Africa staff visit Altech in Kinshasa. Since



2013, Altech, a Congolese-owned solar home system company, has been lighting homes in some of the remotest parts of the Democratic Republic of the Congo (DRC). Power Africa's engagement with Altech began in 2015 when the company received a seed grant from Power Africa's U.S. government interagency partner, the ...

640 MW Solar Power Project in DR Congo (Energy)

AG ARCADIA INVESTS Limited will break grounds for the construction of the 640MW solar power plant in the Democratic Republic of Congo. The project is expected to cost over a billion dollars. The facility, which will generate 1,382,400,000 kWh annually, is expected to start operating before the end of 2019.



DR Congo president inaugurates Chinese-built hydroelectric plant

This photo taken on Oct. 6, 2023 shows the Busanga hydroelectric power plant in Lualaba Province, the Democratic Republic of the Congo. President of the Democratic Republic of the Congo (DRC) Felix Tshisekedi on Friday inaugurated the Busanga hydroelectric power plant, a Sino-Congolese cooperation project financed and built by Chinese enterprises, located ...

[AGR Power Limited](#)

AGR Power Limited is an active company incorporated on 4 October 2012 with the registered office located in London, Greater

London. AGR Power Limited has been running for 11 years. There are currently 2 active directors according to the latest confirmation statement submitted on 4th October 2023. BUY A REPORT.

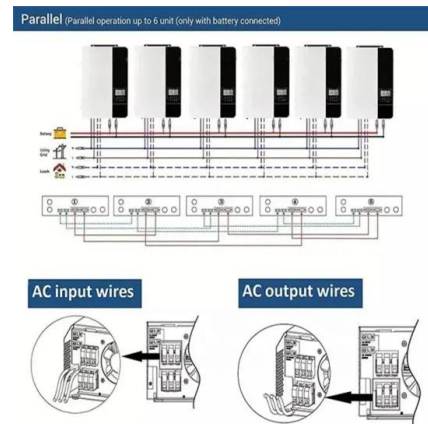


[William Banda](#)

-- · AGR Solar Photovoltaic, are now facing the world with a business model of installing outdoor solar photovoltaic panels to absorb sunlight and convert it into electricity for sale to make money. AGR company has opened a photovoltaic panel leasing contract. In simple terms, you rent a photovoltaic panel, and AGR Solar will rent the panel to the power company. The power ...

AGR Power Welcomes Railpen As 50% Shareholder

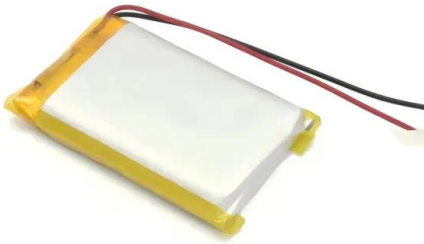
AGR. AGR Power is a leading London-based renewable energy and sustainable infrastructure developer. Since its inception in 2011, the company has delivered over 55 projects across solar, wind, energy storage, and sustainable agriculture assets, deploying over £850m of capital and connecting over 1.1GW of renewable energy to the UK markets



(PDF) AGRICULTURAL COOPERATIVES AND FARMERS' ECONOMIC GROWTH...

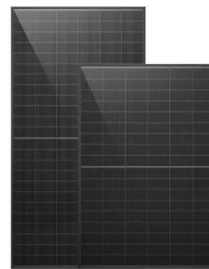
The study pursued to find out the role of agricultural cooperatives management in farmers' economic growth among coffee

cooperatives in the South Kivu province in the Democratic Republic of Congo.



Félix Tshisekedi

Félix Antoine Tshisekedi Tshilombo [1] (French: [feliks ʔwan tʔisekedi tʔilombo]; born 13 June 1963) [2] is a Congolese politician who has been the president of the Democratic Republic of the Congo since 24 January 2019. [3] He is the leader of the Union for Democracy and Social Progress (UDPS), the DRC's oldest and largest party, [4] succeeding his late father Étienne ...



AGR

At AGR we specialise in innovative development and delivery of large-scale renewable energy and sustainable agricultural projects that provide essential clean, sustainable energy and food security for communities, institutions, and blue-chip industries. Read More. Projects. 55+ Deployed Capital. £850m+ Installed Capacity.

DR????????????????????JOGMEC???????

1.???????? (1)?????
DR????????????????????????????????Alain
Goetz????????????????????????????AGR(African Gold Refinery) 1 ?????????????????????????????????Amazon?G
E????????????????????????





[Democratic Republic of the Congo](#)

It offers tools and resources to private sector entities to facilitate doing business in sub-Saharan Africa's power sector. The Electrify Africa Act of 2015 institutionalized Power Africa. Learn more about the full Power Africa ...

DR Congo's energy infrastructure - May 2024 , African Energy

This map provides a detailed view of energy infrastructure across DR Congo. The locations of power generation facilities that are operating, under construction or planned are shown by type - including liquid fuels, natural gas, coal, hybrid, hydroelectricity, solar and methane. Generation sites are marked with different sized circles to show sites of 1-9MW, 10 ...



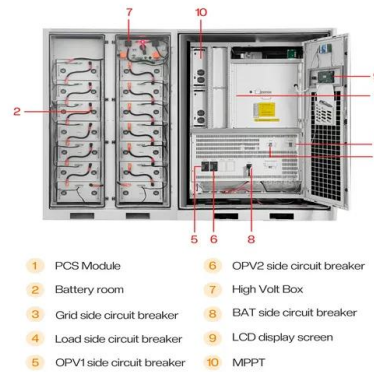
[AGR Power Ltd](#)

Our role. Private Capital worked closely with AGR to structure a bespoke financing package that provided the company with the strategic funding for its near-term development pipeline, alleviating the need to sell its valuable portfolio of Ready-to-Build ("RtB") projects, and gave management time to assess its strategic options.

DR Congo's energy infrastructure - May 2024

This map provides a detailed view of energy infrastructure across DR Congo. The locations of power generation facilities that are operating, under construction or planned are shown by type

- including liquid fuels, ...

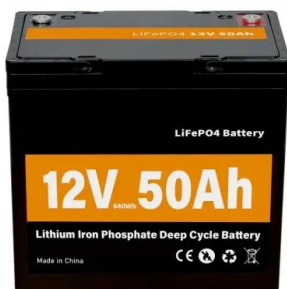
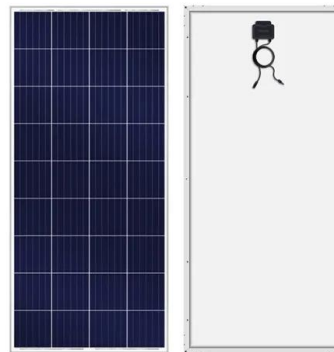


[Trade Power Limited](#)

Power, Electricity, Africa, South Africa, Congo, Brazzaville, TPL, TransPower Limited . Home; Trade Power Limited. Power & Energy. Electricity power and transmission in Africa .. Who We Are.. We are a subsaharan power trading company supplying reliable, low-cost electricity to mining and industrial clients.

Democratic Republic of the Congo Energy Situation

While the country has abundance for hydro-based power generation, the country's production of different fossil fuels such as coal and natural gas is modest and very limited. The DRC's total hydropower capacity is about 100,000 MW, with the Inga damn solely counting for ...



DR Congo

Extreme poverty in DR Congo is very high, with limited responsiveness to growth. In 2022, 71.8 million Congolese people (72.3% of the population) lived below the US\$2.15 poverty line for low-income countries. The country also has a potential estimated at 70 GW for solar and 15 GW for wind power. In sum, DR Congo can become a leading

DR Congo president inaugurates Chinese-built power substation

DR Congo president inaugurates Chinese-built power substation- When completed, the project is expected to significantly improve the local power supply for about 2 million residents nearby, expand the coverage of the DRC's national grid, and boost the country's economic development.



About Congo Energy , Forrest Group International

Congo Energy is a Congolese company which is contributing to the recovery and development of the energy sector in the Democratic Republic of the Congo (DRC). Congo Energy offers products that reduce consumption while optimising the quality of installations. What we do. The company focuses on 4 areas: Electrical infrastructure for industries.

Contact Us

For catalog requests, pricing, or partnerships, please visit:
<https://ian-solar.co.za>