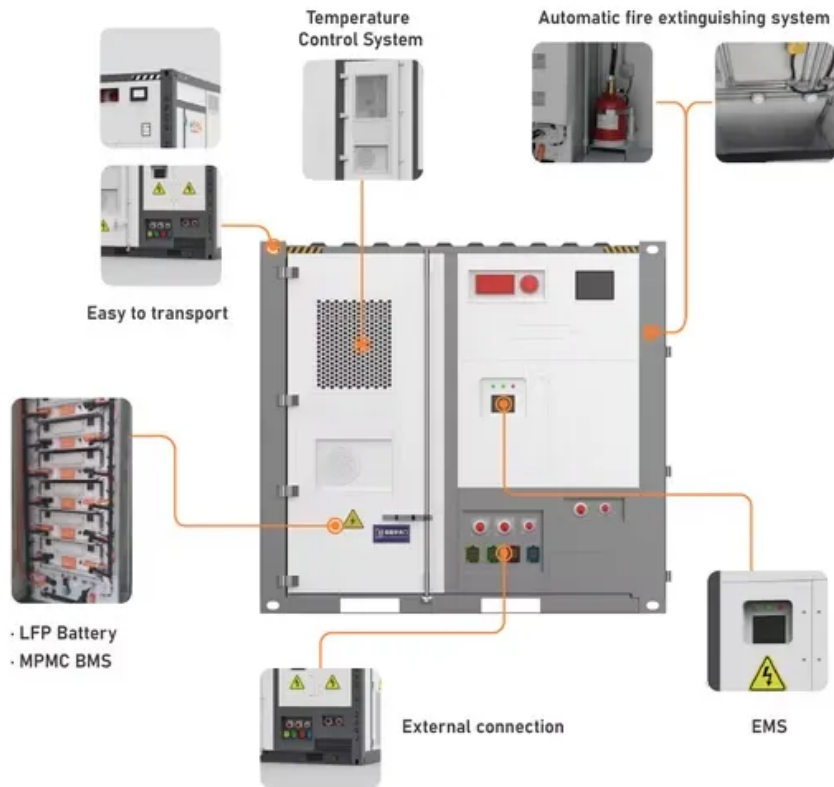


## Solar Energy South Africa

# Home wind turbine Nicaragua



## Overview

---

What are some wind energy projects in Nicaragua?

Another significant wind energy project in Nicaragua is the Eolo Wind Farm, located in the department of Rivas. The farm, which began operations in 2013, has an installed capacity of 44 MW and is capable of generating enough electricity to power approximately 100,000 homes.

Why is Nicaragua developing wind energy?

The development of wind energy in Nicaragua has been driven by a combination of factors, including the country's favorable wind conditions, a growing demand for electricity, and a national commitment to reduce dependence on fossil fuels.

What is Nicaragua's wind energy potential?

With an average wind speed of 9 meters per second, Nicaragua's wind energy potential is immense, and the country has been making significant strides in harnessing this renewable power source.

Can Nicaragua transform its energy sector?

Nicaragua, a Central American nation known for its stunning landscapes and rich cultural heritage, is also home to an abundant natural resource that has the potential to transform the country's energy sector: wind.

## Home wind turbine Nicaragua

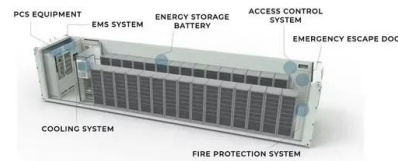


## Renewable energy, foreign money keeping the ...

The expansion of renewable energy in Nicaragua has been led by foreign companies. The energy sector ranks among Nicaragua's top five sectors receiving foreign investment, Sanchez said. "A government priority" ...

## Installing and Maintaining a Small Wind Electric System

A 1.5-kilowatt wind turbine will meet the needs of a home requiring 300 kilowatt-hours per month in a location with a 14 mile-per-hour (6.26 meters-per-second) annual average wind speed. Wind power can be used in isolated off-grid systems, or microgrid systems, not connected to an electric distribution grid.



## Wind turbine shed blade after lightning storm

A blade has sheared off one of the wind turbines in the Red Barn project between Fennimore & Montfort, Wisconsin. The exact location is on Annaton Road near Preston in Wingville Township. According to a neighbor, "Sounds like it was hit by

## Renewable energy, foreign money keeping the lights on in Nicaragua

The expansion of renewable energy in Nicaragua has been led by foreign companies. The energy sector ranks among Nicaragua's top five sectors receiving foreign investment, Sanchez said. "A government priority" Nearly \$1.1 billion of foreign investment went into Nicaragua's energy sector between 2007 and 2013, according to ProNicaragua.

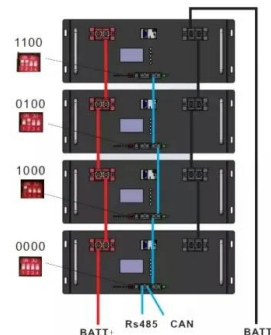


## Home Wind Turbines: Pros, Cons, and How Much They Cost

What size home wind turbine do I need? How big a wind turbine you need to power your house will depend, of course, on how much power you use. The average UK home eats 3,731 kWh of electricity per year 7. A pole-mounted 1.5 KW turbine could deliver around 2,600 kW over the course of a year, depending on the wind speed and other factors 8.

## Wind Power for New Zealand Off-Grid Homes

A wind energy system can be an extremely cost-effective renewable home-based energy system. The Thinair Wind Turbine, either alone or as part of a mixed energy system, provides clean, quiet, and cost-efficient power for homes throughout New Zealand and the Pacific. We currently have a waiting list for residential wind only power systems.



## 5 Best Residential Wind Turbines 2023 (Tested & Ranked)



Best Home Wind Turbine for Wet Areas: 2000-Watt Marine Wind Turbine Power Generator: This wind turbine's best feature is that it's best used in wet areas, such as the beach, where corrosion would destroy other wind turbine options. Check Price: Best Home Wind Turbine and Solar Panel Kit: ECO-WORTHY 600W Solar Wind Power Kit

## Wind Turbines for Domestic use in Irish and UK homes

400W Wind Turbine 12V with MPPT Controller EUR 475.00. 12V Off Grid Domestic Wind Power Turbine Generator Propeller style with MPPT charge Controller. Add to basket; 1200W 24V Combined Turbine & Solar Kit EUR 1,950.00. 1.2Kw combined 600W Wind Turbine plus 600W Solar Panels plus Hybrid MPPT Controller plus Accessories. Add to basket



## [Wind turbine fire , Wind Energy News](#)

Two fire engines were sent and on arrival crews confirmed this turbine was well alight from the engine, at the top of the turbine, approx 30 metres high. Crews set up a cordon and waited for the owner to turn up. The owner was able to isolate the turbine, which was severely damaged by fire. The cause of the fire was accidental.

## Kirkwood to decommission its landmark wind turbine

The 2.5-megawatt Clipper wind turbine was built in 2012 as both a training tool for students in Kirkwood's former Energy Production and Distribution Technologies program and a revenue

maker - generating more than \$2.2 million for the college over its lifetime through a power-purchase agreement.



## [Wind Power in Nicaragua](#)

Wind Power in Nicaragua. Tuesday, July 26, 2011; The first 40 megawatts wind energy plant, built at a cost of \$95 million, will begin operations on January 4. Amayo manager, Sean Porter, said that 18 of the 19 wind powered generators (100 meters high) at the wind farm are fully installed in the Department of Rivas, 128 kilometers to the

## [7 Best Home Wind Turbines \(Winter 2024\)](#)

You should service your home wind turbine 2-3 times a year during major changes of the seasons. This can help to prevent serious repairs as parts wear down with use. Regular service of your home wind turbine can help in making smaller adjustments instead of having to spend a lot of money at once for major repairs or replacements.



## **Honolulu City Council increases setback requirements; Kahuku wind**

2 ???· Honolulu City Council increases setback requirements; Kahuku wind turbines will be removed at end of power contracts in 2031 and



2040 . The Honolulu City Council last week changed land use regulations governing setbacks for the winds turbines, from a 1-to-1 ratio that would allow a 568-foot turbine to operate 568 feet away from homes to a new distance of 1.25 ...

## Renewable energy, foreign money keeping the lights ...

The country also has an ideal setup for wind energy -- something Israeli-based IC Power takes advantage of at Amayo I and II wind farms. Trade winds meet in the Atlantic Ocean east of Nicaragua and then ...



## Can a Small Wind Turbine Power Your Home? (How To Calculate)

Things To Keep in Mind When Shopping for a Wind Turbine. It is important to note that wind turbines are not 100% efficient. This caveat means that a 1kWh turbine will never generate 1,000 watts. The average efficiency of a small wind turbine is 20-35%. So, a 1kWh turbine will generate 200-350 watts of power on average.

## Eolo

Eolo, which consists of 22 2MW wind turbine generators, a new substation and connection lines, began supplying electricity to Nicaragua's national grid in November 2013. The project was implemented by Actis portfolio company Globeleq Mesoamerica Energy, a leading developer, owner and operator of power

generation assets across Central America.



## Harnessing the Power of Nicaragua's Wind: A Growing Energy ...

These wind energy projects, along with several others in various stages of development, have had a significant impact on Nicaragua's energy landscape. According to the Nicaraguan Ministry of Energy and Mines, wind energy accounted for approximately 15% of the country's total electricity generation in 2019, up from just 1.5% in 2006.

## Nicaragua: self-reliance and sustainability

Very few larger nations can claim the kind of rapid, widespread switch from fossil fuels to clean energy that Nicaragua has experienced. Rivas, the 'city of mangoes', has been transformed into the 'city of windmills' in less ...



## Assessment of locally manufactured small wind turbines as an

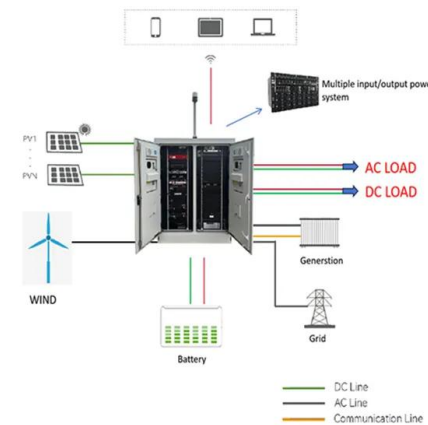
This article presents an assessment of the challenges facing the use of small locally manufactured wind turbines as a rural



electrification solution for the Caribbean Coast of Nicaragua. Strongly based on the authors work experience at the non-profit, non-governmental organization blueEnergy, this assessment makes an objective analysis of the technical, social, ...

## Wind Turbine For Home UK

What Is a Wind Turbine for Home Use? A wind turbine for home converts wind energy into electricity that can be used to power your household. It's a type of renewable energy source that captures wind through rotating blades, similar to large-scale turbines used in wind farms, but scaled down for domestic use. Installing a wind turbine for home UK



- LiFePO<sub>4</sub>, Battery, safety
- Wide temperature: -20~55°C
- Modular design, easy to expand
- The heating function is optional
- Intelligent BMS
- Cycle Life: > 6000
- Warranty: 10 years



## Wind Turbine installers UK

This page contains a list of all the Wind Turbine Installers in Enter Town or postcode here and the surrounding area. Home; Wind Turbines; Wind Turbine installers UK; On this page. Written-by. Janet Richardson. Reviewed-by. Richard Burdett-Gardiner. Updated on. Sep 04, 2024. Read Time : 1 Minutes.

## Applied Engineering , wind-turbine

Know the value of your wind turbines at their location. Directory of operators. Operators of wind farms in Germany. Wind turbine map. Map of all wind turbines in Germany. Tenders. Find the right provider with us! All Apps. All tools and apps at a glance. Announce. Advertise.





## Best Vertical Wind Turbines for Home Use: Harnessing Wind Power

Vertical wind turbines are becoming a popular option if you're looking to harness renewable energy. These compact and efficient devices offer a unique way to generate electricity from wind power, even in urban or suburban settings where traditional horizontal wind turbines may not be possible.. With new technology, vertical wind turbines now have sleek designs that ...

## Contact Us

---

For catalog requests, pricing, or partnerships, please visit:  
<https://ian-solar.co.za>