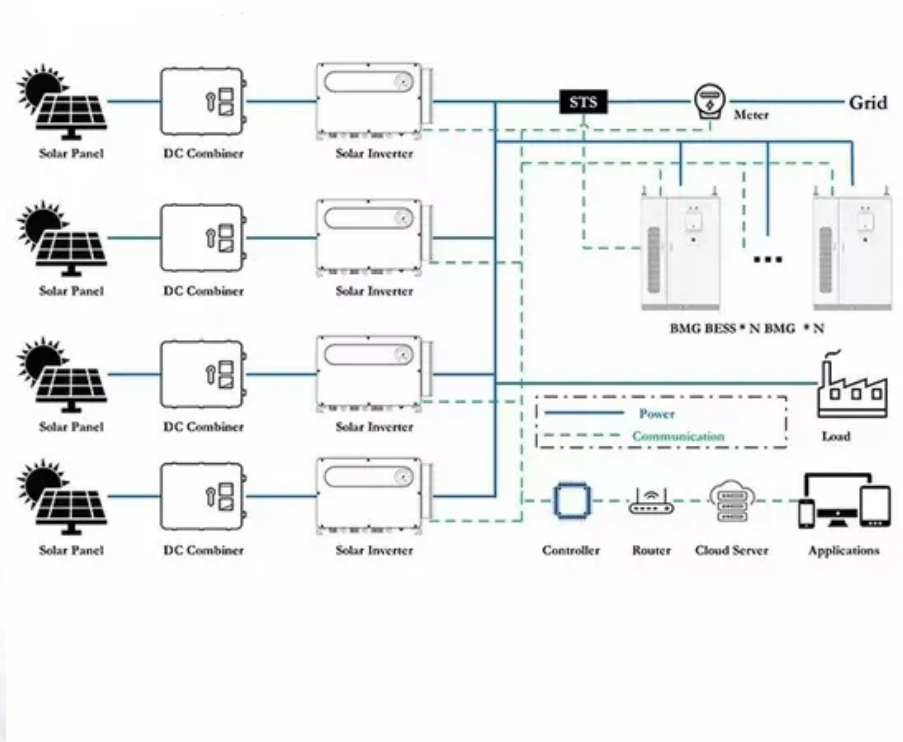


Solar Energy South Africa

How many years does it take for solar panels to become obsolete



Overview

It's a rule of thumb that, barring damage, a panel will last for up to 30 years before it needs to be replaced. How long do solar panels last?

Clarification 23 June 2023: An earlier version of this article stated solar panels had an average lifespan of 20-25 years. It has been updated to make clear this is the average length of their optimum efficiency. A French factory is pioneering recycling of solar units as experts warn of a waste mountain by 2050.

Are obsolete photovoltaic panels sustainable?

While the sustainable management of obsolete photovoltaic panels would be influenced by the lack of accurate data on the waste flow of each PV consumer country, only about 16% of studies related to specific countries have attempted to estimate their EoL PV waste streams.

Will solar PV waste be a significant environmental issue in 2050?

Considering an average panel lifetime of 25 years, the worldwide solar PV waste is anticipated to reach between 4%-14% of total generation capacity by 2030 and rise to over 80% (around 78 million tonnes) by 2050. Therefore, the disposal of PV panels will become a pertinent environmental issue in the next decades.

Will solar panels lose efficiency over time?

Solar PV panels will probably lose efficiency over time, whereby the operational life is 20-30 years at least [7, 13, 16]. The International Renewable Energy Agency (IRENA) estimated that at the end of 2016, there were around 250,000 metric tonnes of solar panel waste globally .

Will solar PV module waste be repurposed by 2040?

The estimated cumulative worldwide solar PV module waste (tonnes) 2016-2050 [13, 14]. 7. Conclusion Based on the swift growth in the installed

PV generation capacity, we propose that the number of EOL panels will necessitate a strategy for recycling and recovery which need to be established by 2040.

When should solar panels be replaced?

While they are being promoted around the world as a crucial weapon in reducing carbon emissions, solar panels degrade and become gradually less efficient. After about 25-30 years it's typically more cost effective to replace them with new ones. Experts say billions of panels will eventually all need to be disposed of and replaced.

How many years does it take for solar panels to become obsolete



How many years does it take to break even on your solar panel?

My monthly electric bill is about \$80, monthly usage less than 300kWh. So even with the smallest panel and a powerwall, the cost is \$16k+tax. It will probably take me 20 years to break even. ...

1. Do solar panels actually last ~20 years in your experience

And naysayers against solar use that metric to talk about the landfills overflowing with solar panels. So maybe we shouldn't say "they last 30 years". Just add a few panels after 20-30 ...



Solar Panel Payback How Long Will It Take?

Read our How Many Solar Panels Do I Need? article for more information. The amount of energy generated. The amount of energy your system generates is key to determining the payback period. The larger the system, ...

Researchers Warn of Tsunami of Obsolete Solar Panels

The cumulative potential value of materials that could be recovered from obsolete panels will be

an estimated \$15 billion by the year 2050. Those materials could be used to make an additional 2 billion new modules ...



Solar panels have a lifetime of roughly 30 years, so

At which point, I could buy one more panel for my rooftop to make up the deficit. I imagine that drop in yield is most precipitous in the first few years, and then tapers off, so after the second ...

Will My Solar Panels Become Obsolete? - Solora Solar

Even after the warranty period, solar panels typically continue to generate electricity for many years. While their efficiency may decrease slightly over time, it's unlikely that they will become completely obsolete.



Commercial and Industrial ESS

Air Cooling / Liquid Cooling

- Budget Friendly Solution
- Renewable Energy Integration
- Modular Design for Flexible Expansion



End-of-Life Management for Solar Photovoltaics

The estimated operational lifespan of a PV module is about 30-35 years, although some may produce power much longer. While few systems are entering the waste stream right now, more systems will come to the end of their useful life ...

Contact Us

For catalog requests, pricing, or partnerships, please visit:
<https://ian-solar.co.za>