

Solar Energy South Africa

Long duration batteries Morocco



Overview

In addition to its investment in Morocco, Gotion High-Tech is undertaking an around €1.24 billion project in Slovakia to establish the country's first battery super factory in partnership with .

In addition to its investment in Morocco, Gotion High-Tech is undertaking an around €1.24 billion project in Slovakia to establish the country's first battery super factory in partnership with .

Acwa signed the joint development agreement with Gotion High-Tech to build the \$1.3 billion EV battery gigafactory in Kenitra, Morocco, construction of which is to begin in June 2026. The plant will start with a capacity of 20GWh, eventually reaching 120GWh, and will export 85% of its output.

Tinci Materials plans a factory in Morocco with an annual production of 300,000 tons of lithium battery materials. Huayou Cobalt and LG Energy Solution will co-build a plant in Morocco, one for 50,000 tons of LFP annually and another for 52,000 tons of lithium conversion annually.

The establishment of Gotion High-Tech's Gigafactory in Morocco solidifies the country's standing in the global electric vehicle (EV) battery industry, affirming its role as a future nerve center for electric mobility. Gotion High-Tech signed a strategic investment agreement with Morocco on April 6, 2024, in Rabat.

Morocco will soon have two manufacturing plants for vehicle batteries. The projects are valued at 6 billion and 4 billion euros, How long have we been distributing batteries in Morocco?

We have been distributing automotive & industrial batteries since 1973. We have distribution centers in many cities, and we supply batteries to retailers all over Morocco. We can be your reliable.

Can Morocco be a leader in EV battery manufacturing?

The investment is the first of its kind in Africa and the Middle East and

represents Morocco's push to be a leader in EV battery manufacturing. The gigafactory will create around 17,000 direct and indirect jobs, including 2,300 highly skilled positions.

What is Morocco doing with phosphate salts?

The joint venture is said to currently be in negotiations with OCP, a leading Moroccan phosphate and fertilizer supply company, to source the highest quality phosphate salts for the production of LFP and ternary CAM precursors from the plant. Morocco is a major global producer of phosphate salts: Its reserves account for 71% of the world total.

Long duration batteries Morocco



Dominion Energy to pilot non-lithium, long-duration energy

...

Form Energy's tech is designed as a "multi-day" storage resource capable of storing energy for discharge over durations of up to 100 hours. Meanwhile Eos' battery stacks each hold up to 3-hours duration capability but can be connected together to provide long-duration energy storage of around 12 hours, with flexibility in either direction.

Long-duration aqueous Zn-ion batteries achieved by dual-salt

...

Herein, a novel highly-concentrated electrolyte system based on two salts ($ZnCl_2$ and $NH_4NH_2SO_3$) was designed for aqueous Zn-ion batteries for the first time. Unlike the traditional SS-HCE and other HCEs, the newly developed 15 m $ZnCl_2$ + 10 m $NH_4NH_2SO_3$ dual-salt highly-concentrated electrolyte (simplified as DS-HCE) exhibited both exceptionally high conductivity ...



Evolving BESS market in 2024: Safety, new tech, and long-duration

Along with advancements in safety, BESS will also see innovative developments in technology this year. The BESS industry has been dominated by lithium-ion batteries, but the need for more long-duration storage, which cannot currently be done economically and safely with lithium, will

open the door for promising non-lithium technologies.

LDES may struggle to compete with lithium-ion as its duration

...

Vanadium flow battery energy storage units at Pivot Power's Energy Superhub site in Oxford, England. Image: Invinity Energy Systems. Long-duration energy storage (LDES) technologies may have a difficult time competing with lithium-ion over the next decade as the latter's cost-competitiveness at longer durations increases, possibly even to 24 hours, ...



Utility IRPs Starting to Signal Need for Long-Duration Battery ...

Now, the company plans to have 160 MW of four-hour duration battery energy storage on line by the end of 2024. The utility's latest IRP also notes the need for long-duration batteries capable of discharging for days and days, which don't currently exist, but which some believe are within reach.

ROUNDUP: Long-duration energy storage news in brief

The long-duration storage company announced last week that it has been invested in by the European Innovation Council Fund (), the investment arm of the EIC, set up by the European Commission to support technologies at pre-commercialisation stage that offer promise within the European Union (EU).The EIC Fund's EUR5 million commitment brings the ...





Chinese EV battery makers are building factories in ...

The Chinese battery projects include at least three joint ventures and several that reference Morocco's trade ties with the United States. The largest among them is Chinese-German battery-maker Gotion High-Tech, ...

C & D Technologies , TEL Long Duration Series AGM Battery

The batteries in this long duration series are Telcordia-tested, qualified to meet superior standards on extensive life cycles, and ensure the longest and most reliable service life possible. [REQUEST A QUOTE](#) [View datasheet](#). [Battery Quick Facts](#). Battery type. VRLA Standard AGM (VRLA) capacity. 30 - 255 Amp-Hours.



RWE reaches FID on Australia's first long-duration lithium-ion battery ...

RWE's 249MWac Limondale PV plant. The 8-hour battery project will be built on an adjacent site. Image: RWE. RWE will proceed with an 8-hour duration large-scale battery storage project in New South Wales (NSW), while a tender for more long-duration resources has launched in the state.

Playing The Long Game: Why States Are Turning Their ...

After a decade of lithium-ion procurement, the leading clean energy states are finally turning their attention to long duration energy storage.

Although it may still seem like a new idea, state-mandated procurement of ...



UK unveils long-duration energy storage (LDES) support scheme

Long-duration energy storage defined as 6-hour duration or more, but lithium-ion excluded . including lithium-ion which is the technology of choice for the vast majority of battery energy storage system (BESS) projects being deployed, with more than 3.5GW online already in ...

Morocco, Gotion to build electric car battery factory in Kenitra

For this first Gigafactory, the Moroccan government has decided to place its trust in the Sino-European player Gotion High-Tech, a world leader in the electric battery sector, with the German Volkswagen Group as one of its reference shareholders, to develop an integrated project for the production of batteries for electric vehicles with a



'No conflict' between short and long-duration energy storage in ...

Separately, Jaime Vega, Managing Director at



E22 Energy Storage Solutions -- a provider of vanadium flow and lithium-ion storage solutions and part of the Gransolar Group -- said that scale would allow long-duration to reduce its ...

Long Duration Batteries to Charge the Grid

The Biden administration appropriated \$505 million for the development of long-duration storage in the 2021 infrastructure law, and last year's Inflation Reduction Act contains tax credits for long-duration battery projects that can result in ...



Playing The Long Game: Why States Are Turning Their Attention to Long ...

After a decade of lithium-ion procurement, the leading clean energy states are finally turning their attention to long duration energy storage. Although it may still seem like a new idea, state-mandated procurement of energy storage has actually been going on for more than a decade. As of mid-2024, twelve U.S. states have set intentions to...

Vanadium electrolyte: the 'fuel' for long-duration energy storage

Vanadium electrolyte makes up 40% of the battery's cost for a 4 to 6-hour battery, rising in

percentage as the duration is increased. VRFB power and energy is decoupled, meaning that the energy can be increased without having to pay for increased power.



Long Duration Batteries to Charge the Grid

The Biden administration appropriated \$505 million for the development of long-duration storage in the 2021 infrastructure law, and last year's Inflation Reduction Act contains tax credits for long-duration battery ...

EU-Breakthrough Energy partnership invests EUR60 million in long-duration ...

Energy Dome claims its CO2 Battery can be delivered cheaper than many alternative long-duration technologies and can be even cheaper than lithium-ion (Li-ion) batteries at scale, made using abundant materials and manufactured using a combination of processes and even components already used in established industries.



4GWh of long-duration storage wins New South Wales tender

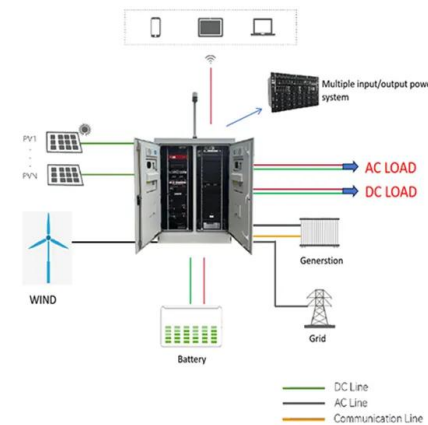
A-CAES technology provider Hydrostor, which is self-developing the Silver City project in Broken Hill, NSW, recently also got a contract with network operator Transgrid for the 1,600MWh



long-duration storage facility to provide 250MWh of reserve capacity that could be used as backup power should the local area suffer grid outages. The company has said ...

Long Duration Energy Storage Market 2024-2044: Technologies ...

Demand for long duration energy storage (LDES) technologies will increase in the 2030s to facilitate increasing variable renewable energy (VRE) penetration. Key technologies being developed for LDES, offering lower capital costs (\$/kWh) than Li-ion at longer durations of storage, will be needed for supporting increased VRE penetration. This IDTechEx report ...



Reshaping the future of the electric grid through low-cost, long

A new era of energy provided by renewables may be close at hand, thanks to research begun at the Joint Center for Energy Storage Research (JCESR), a U.S. Department of Energy (DOE) Energy Innovation Hub led by DOE's Argonne National Laboratory, and continued at spinoff company Form Energy. The challenge JCESR addressed is long duration storage -- ...

Long Duration Storage: What You Need To Know

Form Energy to develop a 1 megawatt, 150-hour duration battery for Minnesota utility: The Somerville-based, Breakthrough Energy Ventures-backed startup makes its first foray into commercializing its long-duration storage technology. The first deal, for a 1 MW, 150-hour duration battery with Minnesota's Great River Energy, is a significant



US utility seeks approval for long-duration CO2 Battery project

Energy Dome's CO2 Battery. This image is a rendering of how the company's 200MWh project in Sardinia, Italy, will look. Image: Energy Dome. US utility company Alliant Energy has moved forward with a long-duration energy storage (LDES) project based on Energy Dome's carbon dioxide-based (CO2-based) technology.

Long Duration Energy Storage Technologies Explained

All Commercially Available Long Duration Energy Storage Technologies, in One Chart. Long duration energy storage (LDES) technologies can store electricity for 10+ hours, complementing intermittent renewables, boosting grid resiliency, and reducing fossil fuel dependency. (batteries): Stores energy of ??Morocco: 54.9: 66: ??



[Long Duration Storage Shot](#)

3 ???· Learn about the Long Duration Energy Storage Shot from the September 2022 Summit. The Long Duration Storage Shot -- which aims to reduce the cost of energy storage systems by 90% within the next decade -- ensures that a

clean energy future is accessible and affordable for ALL Americans.



Solar-Plus-Storage Beats Combined-Cycle Gas in Jordan and Morocco

This puts the combination of solar and batteries on level footing today with CCGTs in Morocco, which have a fuel cost of \$6.90 to \$9 per million btu, and starting this year in Jordan, where the



Morocco emerges as a hub for electric vehicle battery ...

The establishment of Gotion High-Tech's Gigafactory in Morocco solidifies the country's standing in the global electric vehicle (EV) battery industry, affirming its role as a future nerve center for electric mobility. Gotion High ...

Contact Us

For catalog requests, pricing, or partnerships, please visit:
<https://ian-solar.co.za>