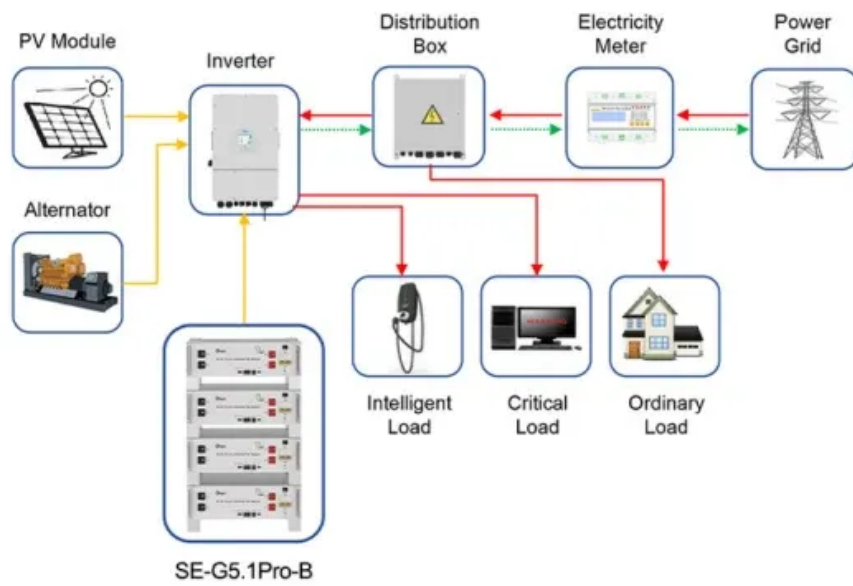


Solar Energy South Africa

Nepal ipex energy



Application scenarios of energy storage battery products



Overview

The Independent Power Producers (IPPs) generate electricity and sell to (NEA) based on agreement called Power Purchase Agreement (PPA). IPPAN helps to :

- Lobby for private sector friendly policies, regulations and their prompt and effective implementation.
- Disseminate information through media, seminar, conferences to political parties, government, officials, civil societies and the people.

Where is wind energy available in Nepal?

Nepal's wind energy potential is concentrated in the high mountains and mid-hills regions, with favorable sites over 3,300 meters above sea level. Despite low population density and arduous geographical conditions, Khumbu Region, Kagbeni, Chusang, Thakmarpha, and Khanjiroba are some of the high-potential mountain areas for wind energy.

Does Nepal export hydroelectricity to India?

In the wet season, Nepal exports its surplus hydroelectricity to India through Indian Energy Exchange. As of 8 June 2022, four of Nepal's hydroelectricity projects export a total of 234 MW of electricity to the Indian market. Nepal has substantial wind energy potential, with estimates of over 3000 MW total capacity.

What is Nepal's wind energy potential?

Nepal has substantial wind energy potential, with estimates of over 3000 MW total capacity. Around 448 MW is commercially viable for electricity generation. Nepal's wind energy potential is concentrated in the high mountains and mid-hills regions, with favorable sites over 3,300 meters above sea level.

Is Nepal able to get 100% electricity in 2024?

The electrification rate in Nepal has notably improved in recent years, with access rising from 93% in 2020/21 to 94 % in 2021/22. The government aims to achieve 100% electricity access nationwide by 2024. In the wet season, Nepal exports its surplus hydroelectricity to India through Indian Energy

Exchange.

Does Nepal export electricity to India?

About 23% of the electricity is imported, with the rest almost completely supplied by hydroelectricity. Nepal also exports hydroelectricity to India in the wet season. Nepal has no known major oil, gas, or coal reserves, and its position in the Himalayas makes it hard to reach remote communities.

Why is Nepal so energy efficient?

With about 1 toe for every \$1,000 of GDP, Nepal has the poorest energy intensity among all south Asian countries. The country has therefore very large energy efficiency potential. Petroleum is the second largest energy fuel in Nepal after firewood and accounts for 11% of primary energy consumption in the country.

Nepal ipex energy



[Energy Synopsis Report 2023](#)

Energy plays a crucial role in the global economy and has a significant impact on a country's economic standing. In Nepal, energy resources are classified into three categories: traditional, commercial, and alternative sources. Traditional sources, including firewood and bio-energy, serve as the primary energy sources for households.

IPEX

Energy Pipe and Supply offers IPEX PVC pipe and pipe fittings. We're Hiring! Apply Here. Join the Family; Home; About Us; Products. Pipe; Fittings. {height:var(--container-widget-height,var(--spacer-size))} IPEX For over 50 years, IPEX has been known for its accountability, reliability, and integrity within the piping industry. IPEX



[Nepal Portfolio Energy](#)

Nepal Portfolio Energy , 1,606 followers on LinkedIn. Nepal Portfolio Energy was founded with the objective of developing Sustainable hydropower projects. It is currently developing Upper Chuwa Lurupya Khola PRoR Hydroelectric Project (110.20 MW), a 6 hours picking project, in the Humla district of Nepal.

KfW IPEX-Bank provides financing for energy security

and future

KfW IPEX-Bank provides financing for energy security and future hydrogen infrastructure in Germany. Transmission system operator bayernets is investing EUR 210 million in the energy infrastructure in Bavaria, which will ...



[KfW-Ipex Bank](#)

Nepal's Green Hydrogen Policy Reshapes Energy Landscape; GE Vernova and IHI Forge Path to Carbon-Free Power with Ammonia Combustion; Babcock & Wilcox and Black Hills Energy Secure \$16M Grant for Hydrogen Project in Wyoming; H2earth for Europe Pioneering Underground Hydrogen Storage Revealed; Canada's Pursuit of Natural Hydrogen Riches

IPPAN Urges Korean Investors to Invest in Nepal's Hydropower ...

4 ??? Karki emphasized that these projects will position Nepal as a clean energy hub in the global market. Currently, Nepal exports 1,000 MW of electricity to India and 40 MW to ...



[Couplings On IPEX](#)

Coupling (FNPT x FNPT) (9) Connect threaded pipe or MPT fittings of the same size using a female threaded (FPT) coupling. Suitable for use with potable water as listed with the National Sanitation Foundation (NSF) & CSA International. Resistance to ignition due ...

Nepal Energy Situation

Although there is a considerable lack of efficiency in energy use, Nepal accounts for relatively low CO2 emissions compared to other countries in the region. The reason is the high proportion of renewable energy sources (biomass and hydropower) in primary energy consumption. 43.6 % (2009) of Nepalese population has access to electricity; 81.0 %



Espressif ESP32-WROVER-IPEX 8M 64Mbit Flash WiFi Bluetooth ...

Buy Now Espressif ESP32-WROVER-IPEX 8M 64Mbit Flash WiFi Bluetooth Module at Best Price Online in India at RoboNepal . Get same day shipping on all orders. All Nepal Delivery. Free Shipping above Rs 2000. Menu. Login / Register All Categories

Energy in Nepal

Petroleum is the second largest energy fuel in Nepal after firewood and accounts for 11% of primary energy consumption in the country. [2] All petroleum products are imported from India.. At the moment, the import of petroleum products is transacted exclusively between the Nepal Oil Corporation and the Indian Oil Corporation. [6] 75% of the imports are diesel, kerosene and ...



Renewable Energy

Renewable Energy Home / Renewable Energy. As the industry leader in PVC Conduit & Fittings, IPEX is the perfect fit for your high quality demanding specs in new wind and solar projects. Nonmetallic conduit and fittings are increasingly

the preferred choice due to their ability to perform in demanding environments, the ease of installation and



Espressif ESP32-WROVER-IPEX 8M 64Mbit Flash WiFi Bluetooth ...

Buy Now Espressif ESP32-WROVER-IPEX 8M 64Mbit Flash WiFi Bluetooth Module at Best Price Online in India at RoboNepal . Get same day shipping on all orders. All Categories Mechanical Parts and Workbench Tools. Bearings; All ...



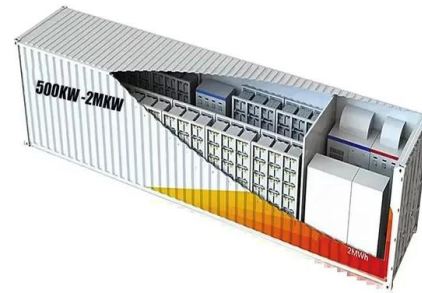
Government of Nepal Water and Energy Commission ...

flagship publication of Nepal's energy sector. The current report has been prepared to provide the information about key trends and insights of Nepal's energy supply and consumption in the fiscal year 079/80 (2023). In addition, it provides the energy consumption in different sectors viz. Residential, Commercial, Industrial etc.

Espressif ESP32-WROVER-IPEX 16M 128Mbit Flash WiFi Bluetooth ...

Buy Now Espressif ESP32-WROVER-IPEX 16M 128Mbit Flash WiFi Bluetooth Module at Best Price Online in India at RoboNepal . Get same day shipping on all orders. All Categories

Mechanical Parts and Workbench Tools



Ai Thinker NodeMCU-32S-ESP32 Development Board - IPEX Version

It is a general-purpose Wi-Fi+BT+BLE MCU module.ESP-WROOM-32s The module integrates traditional Bluetooth, Bluetooth low energy, and Wi-Fi. Wide range of uses: Wi-Fi supports a wide range of communication connections, as well as a direct connection to the Internet via a router; Bluetooth allows users to connect to a mobile phone or broadcast a

Dominik Trayer - Team Head Portfolio Management Energy /

...

Team Head Portfolio Management Energy · Berufserfahrung: KfW IPEX-Bank · Ausbildung: Ludwig-Maximilians Universität München · Standort: Frankfurt/Rhein-Main · 500+ Kontakte auf LinkedIn. Sehen Sie sich das Profil von Dominik Trayer auf LinkedIn, einer professionellen Community mit mehr als 1 Milliarde Mitgliedern, an.



Espressif ESP32-WROVER-IPEX 4M 32Mbit Flash WiFi Bluetooth ...



Buy Now Espressif ESP32-WROVER-IPEX 4M 32Mbit Flash WiFi Bluetooth Module at Best Price Online in India at RoboNepal . Get same day shipping on all orders. All Categories Search 24 Support +977 9864429888. All Nepal Delivery. Free Shipping. Menu. Login / Register All Categories. Our Contacts; Delivery & Return; Login / Register 0 Compare

[Nepal: Energy Country Profile](#)

Nepal: Energy intensity: how much energy does it use per unit of GDP? Click to open interactive version. Energy is a large contributor to CO₂ - the burning of fossil fuels accounts for around three-quarters of global greenhouse gas ...



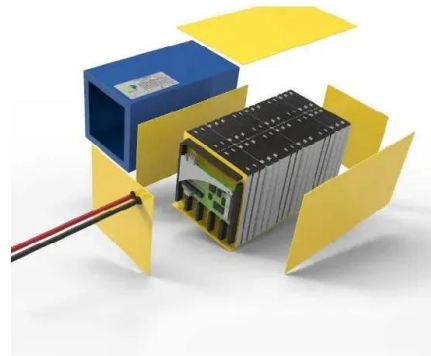
[IPEX INDUSTRIAL PROJECTS EXPORT GmbH](#)

IPEX INDUSTRIAL PROJECTS EXPORT GmbH is one of our valuable member of the Oil and Gas industry company database. Join us to explore the global platform and connect with industry experts. Work with us to simplify energy Contact Us. Reach out to us for any queries Our Clients And Partners. Meet some of our exclusive members Customized

NEPAL

Nepal has commenced its energy export journey by participating in the day-ahead market on the Indian Energy Exchange. Following this initial step, India has granted access to the real-time market as well. The Nepal Electricity Authority has also established a medium-term power purchase agreement with distribution companies

in Haryana and Bihar.



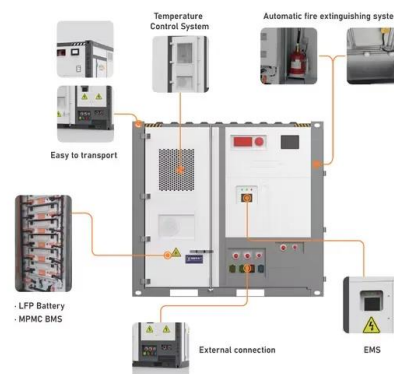
[Independent Power Producers Association](#)

The Independent Power Producers (IPPs) generate electricity and sell to Nepal Electricity Authority (NEA) based on agreement called Power Purchase Agreement (PPA). IPPAN helps to :

- o Lobby for private sector friendly policies, regulations and their prompt and effective implementation.
- o Disseminate information through media, seminar, conferences to political parties, government, officials, civil societies and the people.

[ENERGY PROFILE Nepal](#)

Renewable Energy Subsidy Policy of Nepal
National Rural and Renewable Energy Programme (NRREP) of Nepal Rural Energy Policy of Nepal
ENERGY AND EMISSIONS Avoided emissions from renewable elec. & heat CO₂ emission factor for elec. & heat generation
LATEST POLICIES, PROGRAMMES AND LEGISLATION
Electricity generation trend
ELECTRICITY GENERATION



Contact Us

For catalog requests, pricing, or partnerships, please visit:
<https://ian-solar.co.za>