

Solar Energy South Africa

Niue sahaan solar panel

INTEGRATED DESIGN

EASY TO TRANSPORT AND INSTALL,
FLEXIBLE DEPLOYMENT



Niue sahaan solar panel



Sustainability and affordability of Chinese-funded renewable

...

Renewable energy projects are at the crux of all Chinese-funded investment in sub-Saharan Africa, which accounts for some 56% of all Chinese-led investments globally. However, the prevailing problem is that about 568 million people were still without electricity access in 2019 across urban and rural ...



The best new solar panel technology [Top 9 in 2024]

2. Solar panel fences. Disclaimer: this isn't a new technology, it's just putting standard solar panels somewhere new - but it's an interesting development and well worth a mention this year. Property owners are creatively using solar panels as fences to serve as both boundaries and electricity generators.



Solar panels all over the Sahara desert? - Imagine newsletter #2

Aerial view of a large concentrated solar power plant. Novikov Aleksey/Shutterstock. Some systems store the heat in the form of molten salt. This means they can release energy overnight, when the

Out of Africa: Saharan Solar Energy

Concentrating Solar Power (CSP) Unlike solar panels, CSP concentrates the sun's rays on boilers by using 10 . The resulting heat produces high-temperature 11, which in turn moves the turbines which generate electricity. CSP plants will be situated in 12 to allow sea water to run in.



Sahara covered with solar panels: The biggest mistake in history ...

Solar panels enveloping only 1.2% of the desert could possibly produce sufficient power to supply the whole world. The elevated levels of solar radiation at the Sahara turns it into a brilliant site for employing solar energy, as well as an initiative of this level appears to be a rational step to an environmental future.

Solar Panel kWh Calculator: kWh Production Per Day, Month, Year

Small solar panels: 50W and 100W panels.
Standard solar panels: 200W, 250W, 300W, 350W, 500W panels. There are a lot of in-between power ratings like 265W, for example.
Big solar panel system: 1kW, 4kW, 5kW, 10kW system. These include several solar panels connected together in a system (2 - 50 solar panels).



Solar panels in Sahara could boost renewable energy but ...

A greener Sahara. A 2018 study used a climate



model to simulate the effects of lower albedo on the land surface of deserts caused by installing massive solar farms. Albedo is a measure of how well surfaces reflect sunlight. Sand, for example, is much more reflective than a solar panel and so has a higher albedo.

[Niue - 100% Renewable Energy Atlas](#)

Target: 100% renewable energy target by 2020.
 Status: In progress RES: Solar thermal and photovoltaics
 Implementation: Niue is the smallest island in South Pacific inhabited by 14 communities. There are only 400 occupied households. Farming and fishing are the two most important industries in the island - these receive development assistance from New ...



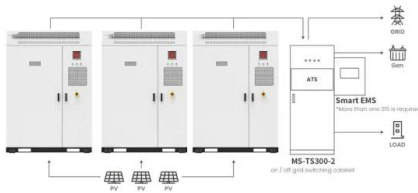
Solar Photovoltaics in Sub-Saharan Africa

Author links open overlay panel David A. Quansah a b c, Muyiwa S. Adaramola b, Lena D. Mensah a c. Show more. Add to Mendeley. (2016) 97 âEUR" 110 2. Solar PV in Africa âEUR"The issues The section presents barriers to large-scale development of solar PV in Africa, especially in sub-Saharan Africa, under the following common

[Out of Africa: Saharan Solar Energy](#)

But a relatively well-developed technology exists, which proponents say could turn the Sahara's heat and sunlight into a major source of

electricity - Concentrating Solar Power (CSP), Unlike solar panels, which convert sunlight directly into electricity, CSP utilises mirrors which focus light on water pipes or boilers to produce very hot



Application scenarios of energy storage battery products

A novel solar panel cleaning mechanism to improve performance ...

Solar panel intelligent system cleaning, cooling, rainwater harvesting, and performance enhancement technology is an automated cleaning device used to solve the main two factors that limit PV system power generation the high PV temperature and the reduction in radiation on the solar panels due to soiling, in addition to the possibility of using

Vector Powersmart for the Niue Renewable Energy ...

Installing 0.80MW / 3.15MWh Tesla Powerpack 2 (BESS) at the Niue Power Station to maximise the use of solar on the island and eliminate the need to curtail solar to maintain grid stability. Installing Vector PowerSmarts ...



Energy Trust receives \$25 million to install solar for Portland

2 ????. "The need for this work is as urgent as it is imperative," said Sahaan McKelvey, director of advocacy and engagement at Self Enhancement,



Inc. "Adding solar to these homes helps create long-term stability, reduces cost burden and creates pathways to economic growth for communities who have been on the front lines of climate change and

Solar panels in Sahara could boost renewable energy but damage ...

Clockwise from top left: Bhadla solar park, India; Desert Sublight solar farm, US; Hainanzhou solar park, China and Ouarzazate solar park, Morocco. Google Earth, Author provided A greener Sahara



(PDF) Impacts of large-scale Saharan solar farms on the global

Here a fully coupled Earth System model (ESM) EC-Earth was used to investigate the impact of a Saharan solar farm on the terrestrial carbon cycle, simulated with prescribed reduced surface albedo

The 6 types of solar panels , What's the best type? [2024]

Polycrystalline solar panels are one of the oldest types of solar panel in existence, with cells that are made by melting multiple silicon crystals and combining them in a square mould. These blue panels are less efficient, less aesthetically pleasing, and less long-lasting than black monocrystalline panels.





Solar Home Systems: A comprehensive literature review for ...

Solar home systems (SHSs) have seen rapid adoption due to their ability to power households who lack access to a reliable grid connection (Levin & Thomas, 2016). 2017). Key components of a SHS are a solar panel, which is usually mounted on a roof and charges a battery that powers various household appliances, including lights and depending

The Path Forward in Solar Panel Technology is Clear

Although these new solar panels are only able to produce a solar conversion efficiency rating of 1 percent, Lunt is confident that the conversion efficiency can be increased to 10 percent soon. The biggest difficulty with renewable technology is figuring out how to convert our current infrastructure that is designed for fossil fuels to one of



Impacts of large-scale Saharan solar farms on the global terrestrial

Here a fully coupled Earth System model EC-Earth was used to investigate the impact of a Saharan solar farm on the terrestrial carbon cycle, simulated with prescribed reduced surface albedo approximating the albedo effect of photovoltaic solar panels over the Sahara desert.

Help us build 100 2kW solar

panels for Saharan homes(Northern ...

IMPACTHOOD Hello world! Villages in the most isolated parts of the country have barely had access to electricity while being one of the hottest places for solar energy. This initiative is to embark on a DIY project that enables us to build reliable 2kW solar panel systems in 100(hundred) sets with e

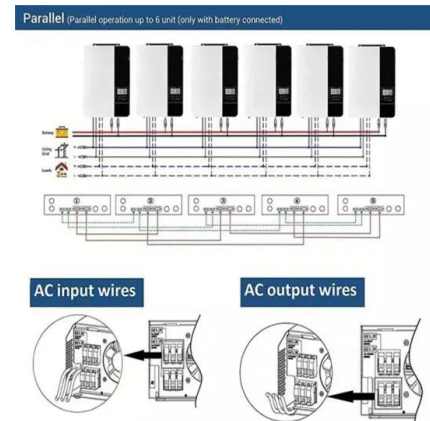


Scientists unearth a consequence of solar panels in the Sahara

Sand, for example, is much more reflective than a solar panel and so has a higher albedo. The model revealed that when the size of the solar farm reaches 20% of the total area of the Sahara, it

Solar Global Market Outlook Report For 2023-2027

Gain valuable insights and predictions as you delve into the Solar Global Market Outlook Report For 2023-2027. The report's meticulous research and expert opinions reveal emerging trends, policy changes, and technological advancements in the solar industry in the coming years, including solar panels, solar inverters, solar storage batteries, and solar systems.



Impacts of large-scale Saharan solar farms on the global terrestrial

Urgent action is needed to decarbonise the energy sector. Substituting fossil fuels for renewable technologies, including large solar

farm deployment, combined with accelerating the movement to having electricity as a final carrier, are viable methods to curb carbon emissions (MacDonald et al 2016). Solar energy represents a vast resource; amassing ...



Contact Us

For catalog requests, pricing, or partnerships, please visit:
<https://ian-solar.co.za>