

## Solar Energy South Africa

# Photovoltaic bracket welding installation process diagram



## Overview

---

4.1.1 The pictures below represent the cutting EVA. As you can see, each component is equipped with 2 pieces. One Piece is needed to open both sides from the middle point. The opening should be done from a height of 80mm. It has the height of 80-85mm which is at the wire hole. 4.1.2 Cutting TPT (Back Plate).

4.2.1 Sorting by Appearance Here are the steps to follow: 1. In the registration form, fill the content of the outer box label of the cell into the incoming material. 2. After opening the box, confirm.

4.3.1 String Welding Procedures during Solar Panel Production Follow these procedures when string welding a solar panel: 1. Check for the defects on the cell. These include improper angle, lack of edge, and the poor state.

Before you declare your photovoltaic cell ready, you need to carry out a mirror surface inspection. This step will help give you an assurance that the.

Here we are going to focus on the procedures for laying up the solar panel. 1. Check for any defects on the glass. These defects include chippings.

How to string Weld a solar panel?

4.3.1 String Welding Procedures during Solar Panel Production Follow these procedures when string welding a solar panel: Check for the defects on the cell. These include improper angle, lack of edge, and the poor state of the welding belt. Put the solar panel cell into the material box and start to circulate.

What is a power rail PV module mounting system?

The PV module mounting system engineered to reduce installation costs and provide maximum strength for parallel-to-roof, tilt up, or open structure mounting applications. The POWER RAIL mounting system is designed with the professional PV solar installer in mind.

How do you mount solar panels?

Adjust the mounting angle, typically between 18 to 36 degrees, for optimal performance. Some companies use solar trackers to boost efficiency by following the sun's path. Then, fasten the solar panels securely onto the mounting structure using nuts and bolts. The entire assembly is meticulously secured to guarantee its durability and longevity.

How to install a solar photovoltaic cell junction box?

Glue the bottom end of the junction box. Once you have pressed the junction box on the backboard, spill the silica gel around it. Pic 1 Load the confluence strip into the bayonet of the junction box. Use screwdriver to check whether the clamp is properly attached or not. 4.10.2 Technical Requirements of Solar Photovoltaic Cell.

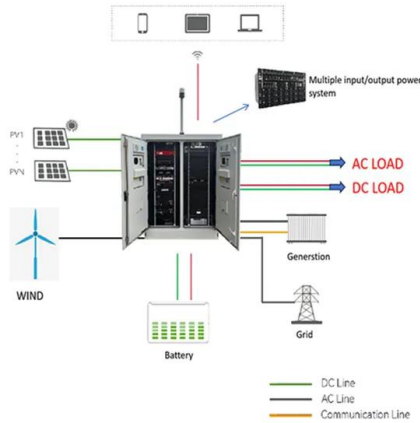
How do I install solar panels?

First, install the solar panel mounting brackets, choosing between roof-ground or flush mounts based on your needs, ensuring stability for both monocrystalline and polycrystalline panels. Orient panels towards the sun: south in the Northern Hemisphere, north in the Southern Hemisphere, with east and west also viable.

What is a solar mounting frame?

Solar Mounting Frames emerge as indispensable components in the quest for efficient solar power systems for utility-scale projects or rooftop installations. These structural frameworks play a pivotal role by providing a secure platform for panels to rest comfortably at the ideal angle, ensuring they capture as much sunlight as possible.

## Photovoltaic bracket welding installation process diagram

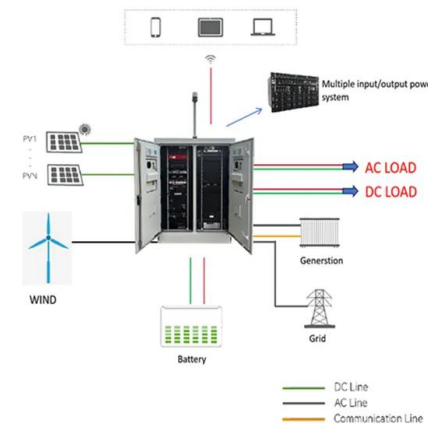


### Photovoltaic, Industry Application , Series Welding Process for ...

String welding process: String welding is an important part of the photovoltaic industry. A single piece that has been welded well is placed on a string welding table, with the positive electrode ...

### How Do Solar Panels Work? (Details Explained)

Solar panels are composed of many smaller photovoltaic cells, and each cell is essentially a sandwich of semiconductor panels. This multitude of PV cells makes up a solar panel. Sunlight is composed of photons, and when ...



### Helical Piles for Solar Panel Mount Foundations

These factors combined eliminate the need for any concrete thereby reducing the total time involved in the installation process. Helical Anchors offer the best helical piles for solar panel foundations. Solar foundation systems are important to ...

### The Complete Guide to Solar Panel Wiring Diagrams

Solar panel diagrams are graphic representations

of the connections you should make between each PV module and other components of the solar power system, including: the 30% Federal Solar Tax Credit ...



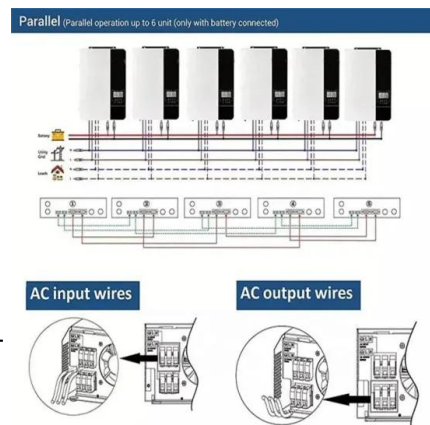
## Professional Solar Mounting Systems Ground Mount Systems

installation times o All systems include certified engineering by professional engineers licensed in the state of the project o High level of factory pre-assembly o Fully adjustable for a perfectly ...



## Understanding Solar Panel Diagrams: A Detailed

During the installation process, solar panel diagrams serve as a guide for installers to ensure that each component is correctly connected. They show the location of the panels, inverters, batteries, and other necessary components, ...



## Materials, requirements and characteristics of solar photovoltaic brackets

Solar photovoltaic bracket is a special bracket designed for placing, installing and fixing solar panels in solar photovoltaic power generation systems. The general materials are aluminum ...

## How to fit solar panels to A tiled Roof UK , DANLEC

Make sure to thoroughly review the guidelines provided by your local building authority before proceeding with any solar panel installation on your site. Assessment of Roof Suitability for Solar Panel Installation. Not all roofs, ...



## Large-Scale Ground Photovoltaic Bracket Selection Guide

W-style photovoltaic brackets, with their distinctive 'W' shape comprising three inclined supports, offer unparalleled stability, making them an ideal choice for regions with high winds. While ...

## Understanding Solar PV Racking Structures and ...

Solar panel bracket: The solar panel is mounted on top of the bracket, usually using specially designed clamp kit or clips to secure the panel to the bracket. Racking installation method: divided from the connection method, ...



## Contact Us

---

For catalog requests, pricing, or partnerships, please visit:  
<https://ian-solar.co.za>