

## Solar Energy South Africa

# Premium hvs 5 1 Libya



## Overview

---

How many battery-box premium HVS can a PC use?

pcs. One Battery-Box Premium HVS is composed of 2 to 5 HVS battery modules, connected in series to achieve a usable capacity of 5.1 to 12.8 kWh. Additionally, direct parallel connection of up to 3 identical Battery-Box Premium HVS allows a maximum capacity of 38.4 kWh.

What is a battery-box premium HVS?

One Battery-Box Premium HVS is composed of 2 to 5 HVS battery modules that are connected in series to achieve a usable capacity of 5.1 to 12.8 kWh. Additionally, direct parallel connection of up to 3 identical Battery-Box Premium HVS allows a maximum capacity of 38.4 kWh. Ability to scale by adding HVS modules or parallel HVS stacks later.

How many batteries can a premium HVS battery box hold?

The Premium HVS Battery-Boxes is composed of a minimum of 2 to a maximum of 5 modules connected in series, to obtain a usable capacity from 5.1 to 12.8 kWh per single battery pack. In addition, up to 3 series of modules can be paralleled at any time, thus reaching a maximum total capacity of 38.4 kWh.

## Premium hvs 5 1 Libya



### BYD PREMIUM HVS 5.1 QUICK START MANUAL Pdf ...

View and Download BYD Premium HVS 5.1 quick start manual online. Battery-Box. Premium HVS 5.1 camera accessories pdf manual download. Also for: Premium hvs 7.7, Premium hvs 10.2, Premium hvs 12.8, Premium hvm 8.3, ...

### [BYD Premium HVS 5.1 Battery Box 5,12kWh](#)

BYD HVS5.1 Batteriespeichersystem HVS , 5,1 kWh. EUR 3 207,09. EUR 3 469,89 inkl. Versand. eps Vorkasse. Unknown. DHL DPD UPS Spedition. ohne Bewertung. Shop-Details. BYD Premium HVS 5.1 Battery Box 5,12kWh 204V. 5,12 kWh Speicherkapazität; arbeitet in einem Spannungsbereich von 160 bis 230 V;



### BYD Battery-Box Premium HVS 5.1 Schnellstartanleitung

Ansicht Und Herunterladen Byd Battery-Box Premium Hvs 5.1 Schnellstartanleitung Online. Battery-Box Premium Hvs 5.1 Ladegeräte Pdf Anleitung Herunterladen. Auch Für: Battery-Box Premium Hvs 7.7, Battery-Box Premium Hvs 10.2, Battery-Box Premium Hvs 12.8, Battery-Box Premium Hvm 8.3,

### BYD Battery-Box Premium HVS 5.1 | Photovoltaik4all

BYD Battery-Box PREMIUM HVS 5.1 (5,12 kWh)  
 Hochvolt Lithium-Eisen-Phosphat Batterie  
 (LiFePO4), für Not-/Ersatzstrom-, Inselanlage,  
 Backup, hoher Wirkungsgrad, modular,  
 erweiterbar -Box Premium HVS kann aus 2 bis 5  
 HVS Batteriemodulen bestehen, die in Reihe  
 geschaltet sind, um eine Kapazität von 5,1 bis  
 12,8 kWh zu erreichen. Die direkte



### BATTERY-BOX PREMIUM HVS / HVM

One Battery-Box Premium HVS is composed of 2 to 5 HVS battery modules that are connected in series to achieve a usable capacity of 5.1 to 12.8 kWh. Additionally, direct parallel connection of up to 3 identical V1.5 [1] DC Usable Energy, Test conditions: 100% DOD, 0.2C charge & discharge at + 25 °C. System Usable Energy may vary with

### BYD Battery-Box Premium HVS 5.1, 5.1kWh

Preisvergleich für BYD Battery-Box Premium HVS 5.1 Produktinfo => Hinweis: Preise beinhalten tw. 0%-USt.-Steuersätze für AT und DE o Batterietyp: LiFePO4 o Batteriemodule:...  
 Energiespeicher Testberichte Günstig kaufen



- ✓ 100KW/174KWh
- ✓ Parallel up-to 3sets
- ✓ IP Grade 54
- ✓ EMS AND BMS

### **BYD PV BYD B-BOX PREMIUM HVS 5.1 (5,12 KWH) , Inverterit ja akut**

Nykyaikainen energiavarasto aurinkosähköjärjestelmiin. Energiavarasto koostuu 2-5 kpl HVS-Moduuleista + BCU ohjausyksiköstä. Järjestelmää voidaan laajentaa aina 36,8kwh saakka. Yhteensopiva Kostal, Fronius ja Solis hybridi-inverterien kanssa.

Paketti sisältää: 2x CLB299 (BYD B-BOX PREMIUM HVS) 1x CLB293 (BYD Battery Control Unit)

## BYD BBOXHVS5.1 PREMIUM HVS 5.1 kaufen

BYD BBOXHVS5.1 PREMIUM HVS 5.1 Batteriespeichersystem / Stromspeicher 5.12 kWh. Hochspannungs Lithium-Ionen-Batteriespeichersystem für verschiedene Wechselrichter (Fronius, Kostal, SMA). Spezifikationen. nutzbare Kapazität: 5,12 kWh. Nennspannung: 204 V. Max. Ausgangsstrom: 25 A. Spannungsbereich: 160-230 V. Umgebungstemperatur: -10 °C bis



## **BYD Battery-Box Premium HVS 5.1 , Magazyny energii**

BYD Battery-Box Premium HVS 2.56kWh modul baterii. 2 \* BYD Battery-Box Premium HVS 2.56kWh modul baterii (05-000278) Informacje producenta. Firma BYD rozpoczęła działalność w 1995 roku jako startup liczący 20 pracowników - obecnie światowy koncern zatrudnia 240 000 pracowników i posiada portfolio z wizją przyszłości.

## BATTERY-BOX PREMIUM HVS / HVM

5,1 à 66,2 kWh Dimensionnement sur mesure pour chaque application Puissance élevée pour chaque application Un Battery-Box Premium HVS est composé de 2 à 5 modules de batterie HVS qui sont connectés en série pour atteindre une capacité utile de 5,1 à 12,8 kWh. De plus, la connexion directe en parallèle de jusqu'à 3



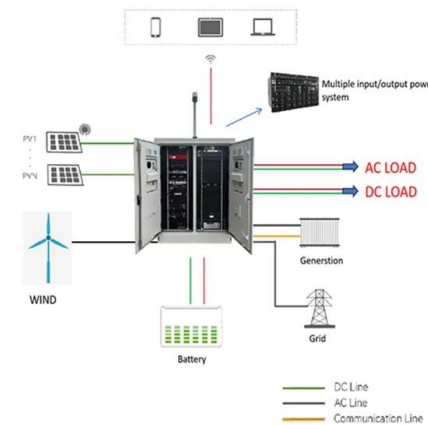
## BYD Battery-Box Premium HVS 5.1 Guia De Inicio Rapido



Ver y descargar BYD Battery-Box Premium HVS 5.1 guia de inicio rapido online. Battery-Box Premium HVS 5.1 paquetes de baterías Descargar manual en PDF. También por: Battery-box premium hvs 7.7, Battery-box premium hvs 10.2, Battery-box premium hvs 12.8, Battery-box premium hvm 8.3,

### BATTERY-BOX PREMIUM HVS / HVM

One Battery-Box Premium HVS is composed of 2 to 5 HVS battery modules that are connected in series to achieve a usable capacity of 5.1 to 12.8 kWh. Additionally, direct parallel connection of up to 3 identical Battery-Box Premium HVS allows a maximum capacity of 38.4 kWh.



## BYD

Battery-Box Premium HVS 5.1 Hochvolt mit GoodWe ET Plus - GW6.5K-ET. SKU: 6927. Wechselrichter: GoodWe ET Plus - GW6.5K-ET; Speicher: BYD Battery-Box Premium HVS 5.1; Batterie-Typ: Hochvolt Lithium-Eisen-Phosphat; Nettokapazität: 5,12 kWh; Phasen: 3; Die BYD Battery-Box Premium HVS mit dem GoodWe ET Plus im Speicherpaket Flexibel und skalierbar.

## BYD Battery-Box Premium HVS / HVM high voltage

Battery-Box Premium HVS. The Premium HVS Battery-Boxes is composed of a minimum of 2 to a maximum of 5 modules connected in series, to obtain a usable capacity from 5.1 to 12.8 kWh per single battery pack. In addition, up to 3 series of modules can be paralleled at any time, thus reaching a maximum total capacity of 38.4



kWh.



## [BYD Battery-Box Premium HVS/HVM](#)

BYD Battery-Box Premium HVS/HVM Fronius GEN24 Plus compatible with BYD battery storage systems Autonomous and reliable: with a battery storage solution, your customers can enjoy 24 hours of sun in their homes and continue to harness the solar energy produced by their own PV system through the night - and even as a backup during power failures.

## **BYD Battery-Box Premium HVS 5.1 Schnellstartanleitung**

Battery-Box Premium Hvs 5.1 Kamera- Und Fotozubehör Pdf Anleitung Herunterladen. Auch Für: Battery-Box Premium Hvs 7.7, Battery-Box Premium Hvs 10.2, Battery-Box Premium Hvs 12.8, Battery-Box Anmelden Hochladen. Herunterladen Inhalt Inhalt. Zu meinen Handbüchern. Löschen. Teilen.



## **BYD Battery-Box Premium HVS 5.1 Quick Start Manual**

Battery-Box Premium HVS 5.1 battery pack pdf manual download. Also for: Battery-box premium hvs 7.7, Battery-box premium hvs 10.2, Battery-box premium hvs 12.8, Sign In Upload. Download Table of Contents Contents. Add to my manuals. Delete from my manuals. Share. URL of this page: HTML Link:

## **BYD-AKKUPAKETTI PREMIUM HVS 5.1 2 x 2,56 kWh**

BYD Battery-Box Premium HVS 5.1 on korkeajännitteinen akku kaikkiin sovelluksiin, sopiva 1- ja 3-vaihejärjestelmille, joustavalla moduulijärjestelmällä ja rinnakkaisliitännällä -Box Premium HVS koostuu 2-5 HVS-akkuosista, jotka on kytketty sarjaan, jotta saavutetaan käyttökapasiteetti 5,1-12,8 kWh.



### BYD B-Box Premium HVS 5.1 (5.12 kWh) , SolarTraders

BYD B-Box Premium HVS 5.1 (5.12 kWh) Battery box with usable energy capacity of 5.12 kWh. 10 years warranty. Features: Operating Temperature: -10 °C to +50°C (5,1 kWh) RCT Power Power Battery 5.7 kWh. Pylontech US5000 4.8 kWh. Dyness DL5.0C. KEHUA iStoragE B5-S2 (5KWh) The professional marketplace for the solar industry. Company

### BYD Battery-Box Premium HVS 5.1 , , BayWa r.e. Solar Shop

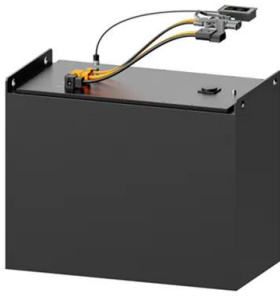
2 \* BYD Battery-Box Premium HVS (25Ah) - 2.5kWh Batteriemodul (05-000278)  
 Herstellerinformationen BYD startete 1995 als Start-Up-Unternehmen mit 20 Mitarbeitern - heute hat der Weltkonzern 240.000 Mitarbeiter und die Zukunft im Portfolio.



### BYD B-Box Premium HVS 5.1 batterilagrung 5,12 kWh

BYD Battery-Box Premium HVS består av HVS batterimoduler kopplade i serie. Systemet kan därefter utökas genom att lägga till ytterligare HVS-moduler eller parallella HVS-torn. Den direkta parallellkopplingen av upp till 3 identiska

BYD Battery-Box Premium HVS möjliggör också en maximal kapacitet på 38,4 kWh.



## BYD Battery-Box Premium HVS / HVM high voltage ...

Battery-Box Premium HVS. The Premium HVS Battery-Boxes is composed of a minimum of 2 to a maximum of 5 modules connected in series, to obtain a usable capacity from 5.1 to 12.8 kWh per single battery pack. In ...



## BYD Battery-Box Premium HVS 5.1 Hochvolt mit Kostal Plenticore ...

Flexibel hoch 2 - BYD Battery-Box Premium HVS 5.1 mit Kostal Plenticore G3S. Mit der dritten Generation des Plenticores bietet Kostal ein flexibles Gerät mit vielen Features. Die Kostal Plenticore G3 Serie kann in ihrer Leistung geupgradet werden. Mit Hilfe der neuen Kostal-Währung - den Plenticoins - kann der Plenticore S G3 von 4kW auf 5

## Kit batterie BYD B-Box Premium HVS 5.1 (5,12 kWh)

Découvrez le kit de batterie BYD B-Box Premium HVS 5.1, une batterie polyvalente et à haut rendement de 5,12 kWh idéale pour l'alimentation de secours et les fonctionnalités

hors réseau. Grâce à sa conception modulaire, son évolutivité et sa compatibilité avec les principaux onduleurs, elle offre un stockage d'énergie fiable avec une sécurité maximale.



LPSB48V400H  
48V or 51.2V



## **BYD B-Box Premium HVS 5.1 battery storage 5.12 kWh**

BYD B-Box Premium HVS 5.1 battery storage 5.12 kWh. Capable of High-Powered Emergency-Backup and Off-Grid Functionality; Highest Efficiency Thanks to a Real High-Voltage Series Connection; The Patented Modular ...

## **Contact Us**

---

For catalog requests, pricing, or partnerships, please visit:  
<https://ian-solar.co.za>