

## Solar Energy South Africa

# Principle of solar photovoltaic grid-connected power generation



## Principle of solar photovoltaic grid-connected power generation

---



### Working Principle of Solar Cell or Photovoltaic Cell

Key learnings: Photovoltaic Cell Defined: A photovoltaic cell, also known as a solar cell, is defined as a device that converts light into electricity using the photovoltaic effect.; Working Principle: The solar cell working ...

### Composition and Working Principle of The ...

Photovoltaic power generation system mainly consists of PV modules, a controller, an inverter, a battery, and other accessories (grid-connected does not need a battery). Depending on whether it depends on the ...



### Grid Connected Inverter for Solar Photovoltaic Power Generation

The grid system is connected with a high performance single stage inverter system. The modified circuit does not convert the low level photovoltaic array voltage into high voltage. The converter ...

### What is a solar photovoltaic power generation system?

Solar photovoltaic power generation system is a system that uses solar components and other

auxiliary equipment to convert solar energy into electrical energy. Working principle of solar photovoltaic power generation ...



## Modelling and Control of Grid-connected Solar ...

At present, photovoltaic (PV) systems are taking a leading role as a solar-based renewable energy source (RES) because of their unique advantages. This trend is being increased especially in grid-connected ...

## A detailed introduction to photovoltaic power ...

Solar battery can be encapsulated and protected in series to form large-area solar cell modules, and then combined with power controllers and other components to form photovoltaic power generation devices. 2. The ...



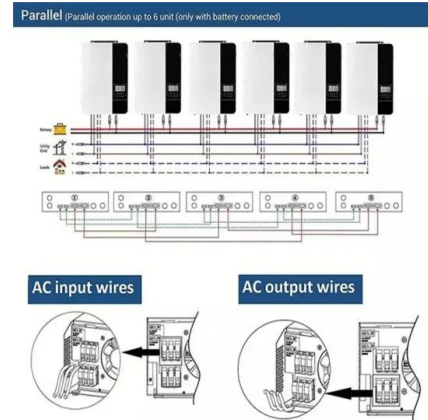
- ✓ 100KW/174KWh
- ✓ Parallel up-to 3sets
- ✓ IP Grade 54
- ✓ EMS AND BMS

## PPT - Introduction to Grid-Connected Photovoltaic ...

Solar Thermography for Photovoltaic Panel - This presentation is about the importance of Solar Thermography for Photovoltaic Panels. Thermal Imager Testo 872 is best suited for SPV panels and was used to take the thermal ...

## Principles of Solar Energy Generation - Energy and environment

Principle of Electricity generation by Solar Photovoltaics; The solar photovoltaic works on the principle of photovoltaic effect. It is the physical and chemical property or phenomenon in ...



## Contact Us

For catalog requests, pricing, or partnerships, please visit:  
<https://ian-solar.co.za>