

Solar Energy South Africa

Solar power industrial Zimbabwe

114KWh ESS



PICC
QUALITY ASSURANCE

RoHS



MSDS

UN38.3

**UK
CA**



Solar power industrial Zimbabwe



Zimbabwe Gets Solar Power and Agro-Industrial Parks on the ...

Zimbabwe Gets Solar Power and Agro-Industrial Parks on the Horizon Contact Solar Reviews Zimbabwe today at +263 78 864 2437, +263 78 293 3586, or +263 78 922 2847. Let us help you pave the way to a more sustainable and energy-independent future, one step - and one affordable payment - at a time.

Solar Experts

The Best Solar Power Manufacturer and Supplier In Zimbabwe! Solar Experts Zimbabwe is the leading supplier and authorized dealer of Must Solar products in Zimbabwe. As a professional hi-tech enterprise specializing in power inverters, solar power, battery development, manufacturing, sales, and after-service, Must has established its reputation as a trusted brand in the industry.



Solar Power in Zimbabwe: A Comprehensive Guide

The Future of Solar Power in Zimbabwe. The future of solar power in Zimbabwe looks bright. As more people adopt solar energy and technology continues to advance, the country's reliance on renewable energy will grow. Government initiatives and international support are paving the way for large-scale solar projects and integrating solar power

Zimbabwe's largest industrial solar power plant launched

Econet Wireless Zimbabwe has launched the country's first industrial solar power plant at its Willowvale complex in Harare. Engineered and installed by Distributed Power Africa, a subsidiary of Econet, the solar plant has a generation capacity of 466 KW and will operate under a 25 year Independent Power Producer (IPP) License agreement issued by the

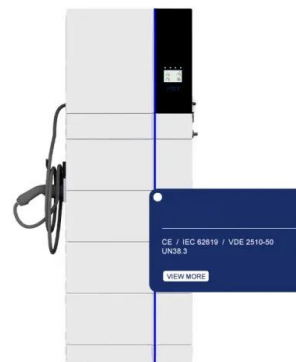


[Orange Solar - The Future Is Orange](#)

We offer true off-grid solar solutions These are able to operate completely independently of all traditional public utility services. [VIEW MORE Industrial Energy Solutions Industrial Energy Solutions. Working for a sustainable world everyday Construction quality is a crucial factor in growing your business and staying profitable.](#)

Zimbabwe

The country aims to have solar power take up the largest share of Zimbabwe's renewable capacity (1575MW), and has introduced various initiatives, such as import tax and VAT incentives and net metering, to ensure this. But large-scale PV projects will drive contribute the most to Zimbabwe's PV landscape in the years to come...



Zimbabwe looks to public to provide solar power amid energy ...

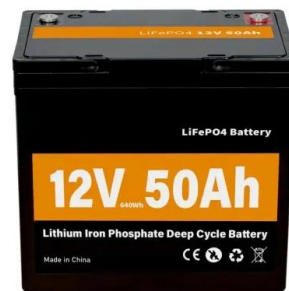
The grid-tied inverter would cost him at least \$2,000, a significant outlay on top of the about



\$5,000 the commercial farmer spent on his solar power system back in 2019. External link. Context, 12 Jan 2023: Zimbabwe looks to public to provide solar power amid energy crisis

Solar Agro Systems , solar solution for commercial section , 583 ...

Solar Agro Systems provides a comprehensive set of solar energy services to help businesses and organizations harness the power of the sun. Our systems utilize advanced photovoltaic technologies to turn solar radiation into electricity, optimizing solar energy to provide your energy needs in an efficient, cost-effective, and sustainable manner.

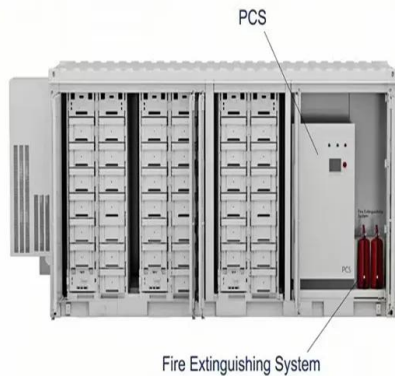


CrossBoundary acquires the commercial and industrial (C&I) solar ...

CMS owns and operates the 12.2MWac solar plant that powers the Blanket Mine. Despite the sale, the solar plant will continue to supply electricity to Blanket Mine under a power purchase agreement. The solar plant was initially financed through a 2020 share offering in the U.S., raising \$13 million from the issuance of 597,963 shares.

[Zimbabwe: Solar tender , African Energy](#)

Zimbabwe Power Company (ZPC) has invited bids for a 100MW solar power project in Gwanda, about 130km north- west of Bulawayo. The contract covers the funding, engineering, procurement and construction of the Gwanda/Plumtree solar project. A company named Green Solar Europa, in a consortium with local firm Intratrek Zimbabwe, has already ...



The Best and Most Recommended Solar Companies in Harare, Zimbabwe ...

It also comes highly recommended by Solar Quotes Zimbabwe and is also featured on Mhepo News Zimbabwe as One The Most Recommended and Best Solar Energy Companies in Zimbabwe in 2024. Sona Solar Zimbabwe ensures long-term support and warranties against manufacturing defects, lowering your financial exposure.

Solar projects in Zimbabwe , Structure and Design Magazine

The Zimbabwe Power Company (ZPC) has applied to set up three solar power plants in the country. This is in a move to improve the supply of electricity. The power plants, each with 100MW capacity, will be in Gwanda, Matobo and Munyati. "From a given notice, the Zimbabwe Energy Regulatory Authority is in receipt of an application from the Zimbabwe...



Home of Solar Energy Projects , Large Scale Solar ...

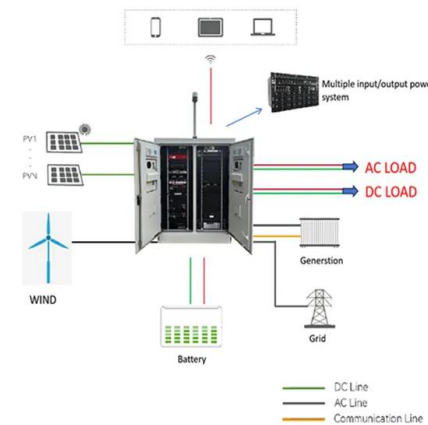
Solar Energy Projects is a solar power provider



and leader in renewable energy services. We are a forward thinking, technologically advanced renewable energy. Specialising in large solar systems in Zimbabwe

Brightedge Solar - Solar Suppliers in Zimbabwe

We supply complete off-grid solar & wind power systems for : o Commercial & Industrial Remote Power and UPS Projects. read more. maintenance, and sales services in Zimbabwe. read more. Packages. 1KVA. TV, WiFi, Laptop & Lights. 1kva SAKO Inverter, 12v 100ah SAKO Lithium Battery, 2x330W Solar Panels,



OEM service

Hot Colors:



Color can be customized
 more questions just do not hesitate to contact us

LOGO Position: (Screen printing)



[Powerlife Energy - Powering The World](#)

Power Life Energy provides premier electrical engineering and maintenance for both public sectors and private customers in commercial, domestic and industrial markets throughout Zimbabwe. Our electrical services include project management, design, supply, installation, testing plus commissioning and maintenance of electrical systems.

[Solar Energy Market in Zimbabwe](#)

Zimbabwe's increased economic activity in various sectors, including housing development and construction, has fueled a demand for energy and electricity demand in general. The Government of Zimbabwe estimates the surge in

...



Solar Power Solutions Zimbabwe , Solar Panels, Inverters, ...

Felicity Solar Private Limited is located in Eastlea Harare Zimbabwe. Felicity solar is a high-tech new energy enterprise which specializes in research and development, project design and installation guidance and after-sales service. Through dedicated researches and continuous innovation, we possess unique technology superiority and product superiority. We value our

...

Solar System Installers in Zimbabwe , PV Companies List , ENF ...

Zimbabwean solar panel installers - showing companies in Zimbabwe that undertake solar panel installation, including rooftop and standalone solar systems. 83 installers based in Zimbabwe are listed below.



[CICADA , Solar -- C I C A D A](#)

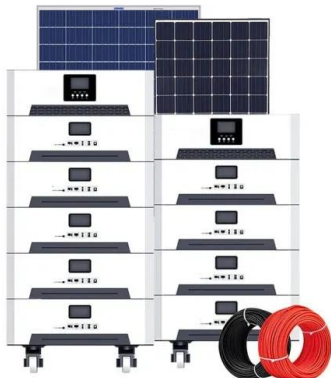
The effective cost per kWh of solar power goes down with longer term funding. Given the lack of long-term debt in Zimbabwe, Cicada Solar has



created an innovative funding vehicle. Up to 8 year funding is available within the local regulatory requirements with competitive interest rates for credit-approved customers.

[Orange Solar - The Future Is Orange](#)

We offer true off-grid solar solutions These are able to operate completely independently of all traditional public utility services. [VIEW MORE Industrial Energy Solutions](#) Industrial Energy Solutions. Working for a sustainable world ...



SolarCity: Solar Panels, Batteries, Inverters Best Price in Harare

Solar Cables. Solar Mounting. Solar Installations. Canadian Solar. JA Solar. Sukam. top of page. Tel: (242) 761 268 0773 205 279 Whatsapp: 0718 069 228 , sales@solarcity .zw. Online Store "Ever since I bought my Home Solar system, I have stopped using ZESA power during the day. I run my fridge and watch TV uninterrupted - Aurthur, Chitungwiza

Centragrid commissions second phase of Zimbabwe's Nyabira solar ...

Centragrid, the project company for developer African Transmission Corporation (ATC), has commissioned the second phase of its Nyabira

solar PV plant in Zimbabwe, in a significant step for a country that is hoping IPPs might help to solve an enduring power crisis. The Centragrid Nyabira plant is Zimbabwe's first utility-scale solar project wholly ...



REGISTERED SOLAR COMPANIES IN ZIMBABWE [As of 31 ...

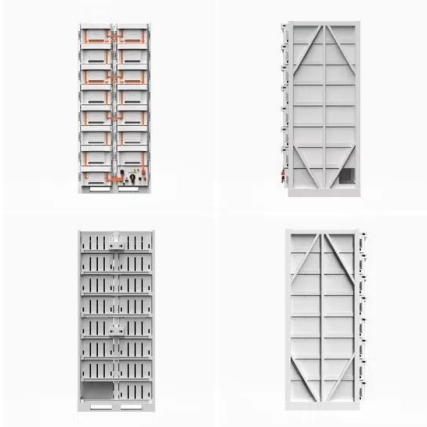
7 Solar Shack (Pvt) Ltd Solar PV System products supply and installations Solar water geyser supply and installations. Number 21 Glenara Avenue South, Eastlea, Harare Tel: 0772527810 Email: info@solarzim 8 Cool Solar Supply of solar PV system equipment and solar water heaters Bay 2, 69 Steven Drive, Msasa, Harare

Powering Progress: Solar and Agro-Industrial Parks Light Up Zimbabwe...

Contact Solar Options Zimbabwe: Solar Options Zimbabwe gives you access to transparent information so you can make informed decisions, confidently. Get in touch with us directly via WhatsApp by clicking the Chat with WhatsApp below. Solar Systems Sales: +263 78 922 2847 Solar Systems Sales: +263 78 864 2437 Borehole Solutions Sales: +263 77 389 8979 ...



Horizon Solar Systems - Best Place For Solar Services & Products



A clear benefit of solar power lies in their dependable technology. Solar (PV) modules were developed for use in the harshest of environments: outer space. They are still used on almost all satellites due to their proven reliability. Solar panels have no moving parts, have no emissions, are silent, and are virtually maintenance free.

Contact Us

For catalog requests, pricing, or partnerships, please visit:
<https://ian-solar.co.za>