

## Solar Energy South Africa

# Switzerland one energy battery



## Overview

---

Can a water battery help stabilize the energy grid in Switzerland?

The water battery that recently went operational in Switzerland has a storage capacity of 20 million kWh, the equivalent of 400,000 electric cars, and is aimed at helping stabilize the energy grid in Switzerland and other connected grids in Europe. The plant has six turbines that can generate 900 MW of power, Euronews revealed.

How much does a 900 MW water battery cost in Switzerland?

A 900 MW 'water battery' that cost Switzerland €2 billion and was under construction for 14 years, is now operational, Euronews reported. The battery is located nearly 2,000 feet (600 m) underground in the Swiss Alps. Nant de Drance : Comment ça marche ?

.

How pumped hydro storage in Switzerland is achieving net-zero emissions?

With the addition of Nant de Drance, the installed capacity of pumped hydro storage in Switzerland has jumped 35% to 3,462 MW. According to an analysis by the International Energy Agency, renewable energy, mostly solar and wind energy, will need to contribute to 90% of the global electricity generation to achieve net-zero emissions by 2050.

How much will Swiss government spend on solar energy?

Swiss federal authorities have set a target of 2 billion GWh in new solar energy under legislation promoting the development of solar power. And they've set aside more than 3 billion Swiss francs (about €3.14 billion) to help wean companies and homeowners off fossil fuels.

Does Switzerland have a storage system?

The concept might sound new but has been in use in Switzerland for

centuries. The U.S. has also been using this method for nearly a century now, while China recently decided to build 270 GW of storage capacity by 2025 .

Why does Switzerland rely on hydropower?

Heavy reliance on hydropower means when water supplies are low in the winter, the country has to import power to cover demand. Switzerland's energy sources, therefore, are often dependent on its neighbours and frequently include fossil fuels in the mix.

## Switzerland one energy battery

---



### Inside Switzerland's giant water battery

The plant operates using two reservoirs, an upper one and a lower one. The water stored in the higher-altitude Vieux Emosson reservoir is released to produce electricity during peak hours. From the Emosson reservoir some 300 metres downstream, the water is then pumped upwards again and stored in times of energy overproduction.

### Sales and engineering of lithium batteries

LiTHIUM System, formerly LiTHIUM Storage GmbH, headquartered in Illnau, Switzerland, has been supplying customers throughout Europe with high-quality lithium iron phosphate (LiFePO4) batteries since 2010. As one of the first in Europe we have added NMC cells with a high energy density to our assortment.



### Revolutionary new Swiss 'water battery' will be one of Europe

A 900 MW 'water battery' that cost Switzerland \$2 billion and was under construction for 14 years is now operational. The battery is located near 2,000 feet (600 meters) underground in the Swiss Alps. There is also the need to store this energy, which is produced intermittently depending on weather conditions and the time of the day.

## [Swiss Clean Battery AG , LinkedIn](#)

? The future of energy storage begins now ? The demand for sustainable and long-lasting energy storage systems is increasing rapidly, and the team at Swiss Clean Battery AG is ready to help shape this future. As one of the leading manufacturers of solid-state batteries, the company is already offering the opportunity to secure production



## [Energy Storage Suppliers In Switzerland](#)

The Power-Blox PBX-200 series delivers innovative solutions for off-grid and energy storage needs. Each unit is an intelligent energy cube, featuring an integrated lithium iron phosphate (LiFePO4) battery. The PBX-200 cube provides 200 watts of CONTACT SUPPLIER

## **European BESS: 105 MWh for Greece, 65 MWh for ...**

4 ???· Greece is getting four new battery energy storage systems (BESS) amounting to 105 MWh, while Germany's Intilion will develop 65 MWh for Switzerland's Primeo Energie. When it is completed, it will be one of the ...



## **Switzerland Baden 2MW/2.17MWh Li-ion Battery Energy Storage ...**

Project: Switzerland Baden 2MW/2.17MWh Li-ion Battery Energy Storage System Application: Grid side-frequency regulation, peak shaving Date: July., 2019 Location: Baden, Switzerland Installed capacity: 2MW/2.17MWh Introduction: This

project was the first large-scale containerized energy storage project in our European market.



## Western Switzerland at the forefront of the battery technologies

Battery technology is at the center of Western Switzerland's energy challenges. The Swiss Battery Technology Center develops solutions to reduce the carbon footprint and improve the life cycle ...

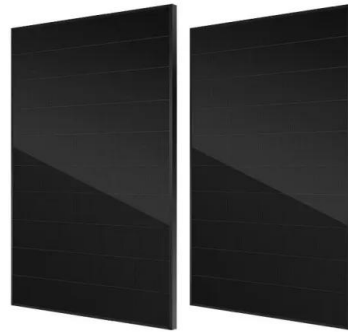


## Swiss companies are pioneering revolutionary batteries that can ...

ETH Zurich is celebrating big news from two battery companies that are spin-offs of university research. They are leveraging Swiss industry expertise that involves novel layered production techniques.

## Switzerland's 20 million kWh 'water battery' is now operational

The water battery that recently went operational in Switzerland has a storage capacity of 20 million kWh, the equivalent of 400,000 electric cars, and is aimed at helping stabilize the energy grid



## Solar energy systems: Will they pay off for me? , Zurich Switzerland

One sample calculation from the recently published study by ETH and the University of Bern on the profitability of solar energy systems: In Rümlang in the canton of Zurich, a 12 kW system on a single-family home will generate a return of 6% over 30 years. In neighboring Kloten, a similar system will return a slight loss.



## Massive "Water Battery" Is Now in Operation in the ...

While some researchers are pursuing experimental solutions, the "water battery" is a tried and true method for storing energy. An enormous Swiss water battery project--known as Nant de Drance --is at last operational.



## Products

Welcome to Lemania Energy, your number one source of battery equipment. Let us introduce you to our range of professional industry acclaimed products. With over 25 years of experience in delivering the highest quality Swiss made and designed products. We are ready and able to manufacture our products to both our,

and your specifications



## Switzerland

Switzerland has the lowest carbon intensity among IEA countries, owing to a carbon free electricity sector dominated by nuclear and hydro generation. However, following the 2017 decision of the Swiss people to phase out nuclear power, Switzerland's energy



## [Our Next Energy , Our Next Energy](#)

ONE is a Michigan-born energy storage company focused on battery technologies that will accelerate the adoption of EVs and expand energy storage solutions. Tracking consent. Gemini Dual-Chemistry Battery Powers BMW iX 608 Miles on a Single Charge

## Next-gen batteries: Swiss researchers help lead the charge

This is where the EUR40-million European Battery 2030+ research initiative comes in. Launched last year, the scheme comprises seven large research projects supported by nine European countries, including Switzerland. One those projects is "HIDDEN", aimed at improving the average lithium-ion battery's lifespan and energy density by 50%.



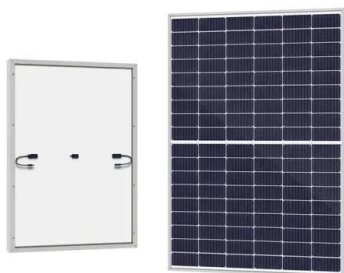
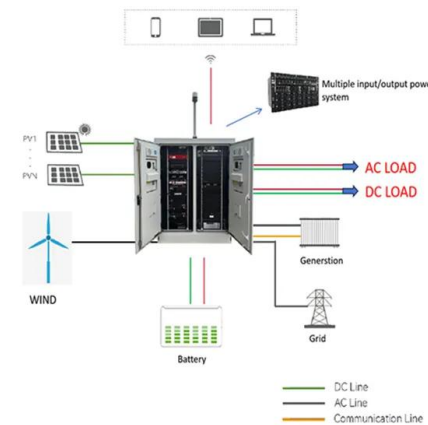


## Flexbase, Erne to build 500 MW redox flow battery in Switzerland

Swiss IT, communication and energy consultancy and services firm FlexBase Group has teamed up with local construction group Erne to build an over 500 MW redox flow battery storage system combined with a data centre for artificial intelligence in Laufenburg, Switzerland. Erne Group has been awarded a contract to realise the project. Construction is ...

## Revolutionary new Swiss 'water battery' will be one of Europe

Revolutionary new Swiss 'water battery' will be one of Europe's main renewable sources of energy euronews Open. Locked post. New comments cannot be posted. Share Sort by: Best. Open comment sort options Focus on peaceful use of nuclear energy tech, economics, news, and climate change.



## The New Super-Battery Made of Concrete Blocks , OneZero

A couple of hours south of Zürich, Switzerland, in the Canton of Ticino, you'll find a battery made out of concrete blocks. Energy Vault, the Swiss clean energy firm that built it, is about to go public via a SPAC merger with Novus Capital Corporation II. The sun doesn't always shine, nor does the wind always blow.

## 320 kWh High Voltage Solar

## System in Switzerland

Date: January 11, 2024 Location: Switzerland  
 Application: Commercial power supply Model No.:  
 GSL 320kWh industrial and commercial energy  
 storage cabinet Config.: 320 kWh High Voltage  
 Solar System+Hybrid Inverters Size: 320KWH  
 Energy Source: PV SOLAR PANELS AND GRID  
 Installation Case Study: 320 kWh High Voltage  
 Solar System in Switzerland GSL ENERGY ...

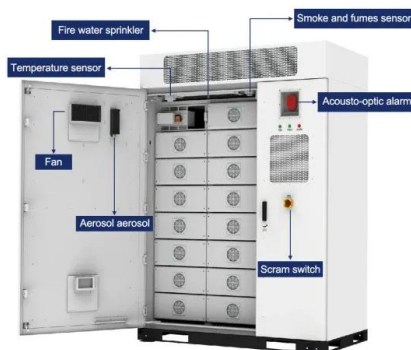


### Swiss Clean Battery

Swiss Clean Battery AG, based in Frauenfeld, is implementing one of the first series production plants for solid-state batteries in Europe We have the only exclusive license to date for mass production of these solid-state batteries and an additional license to market industrial storage systems in Switzerland and Germany. With us, the energy revolution can be successful: ...

### Battery samples

12V 100Ah Yellow This is one of our popular models: 12V 100Ah LiFePO4 lithium battery. It measures 19.5 x 22.3 x 17 cm and weighs only 10 KG. It is capable of supporting loads of 100A continuously or 150A for 30 seconds. It has all the safety features included with our built-in BMS: temperature protection, [...]



## Librec Builds Recycling Plant in Switzerland

Upon delivery, the batteries will first be discharged on-site. "The battery is opened, connected to discharging equipment, and all remaining energy is extracted," explained Jodok Reinhardt, founder and CEO of Librec, in an interview with SRF. The energy recovered will be used to cover one-third of the recycling facility's

energy needs.

## Contact Us

---

For catalog requests, pricing, or partnerships, please visit:  
<https://ian-solar.co.za>