

Solar Energy South Africa

Thailand bef energy



Thailand bef energy



[Thailand: Beef Meat Market Report](#)

This report analyzes the Thai beef meat market and its size, structure, production, prices, and trade. Visit to learn more. Renewable and Alternative Energy. Energy Industry Equipment. Utility Services. Water. Electrical Energy. Food and Drink. Meat, Poultry and Meat Products. Fat and Oil Products.



[Easy Authentic Thai Beef Salad Recipe](#)

You take a beef steak, marinate it, then cook it rare, slice it up and finish the whole dish off by coating the beef slices in a wonderfully delicious, juicy Thai beef salad dressing. Alongside the fantastic Larb Gai or Issan Minced Chicken salad and Som Tam Thai, ...



Effects of Cattle Breeds and Dietary Energy Density on Intake

This study determines the effects of varying dietary metabolizable energy densities on Holstein Friesian and Charolais crossbred beef cattle in fattening phases. The research focuses on nutrient utilization, ruminal fermentation, growth performance, carcass traits, and meat quality. Thirty-six steers were used in the feeding trial that lasted for six months ...

[BEFS Thailand](#)

The Government of Thailand, through its Alternative Energy Development Plan, has set a target to increase biofuel production to five billion litres by 2022. The Thai Government sees this expansion as a way to strengthen the country's energy security, foster rural development and reduce ...



Thai Sweet Chilli Beef Bowls

How to make it. Don't skip toasting the cashews. It really goes a long way to enhance the nut flavour! Drizzle sauce - Mix the ingredients in a small bowl.. Stir fry sauce - And mix these ingredients in a separate bowl.. Toast cashews - Toss the cashews in a dry pan for a few minutes until you can smell them and there's little golden spots on the cashews.

A simple levelized cost of electricity for EV charging with PV ...

Thailand's cost projection during 2020-2030 (see Table 1). After that, the sLCOE of the PV and hybrid train and energy source performance, charging technology, support policies, and human



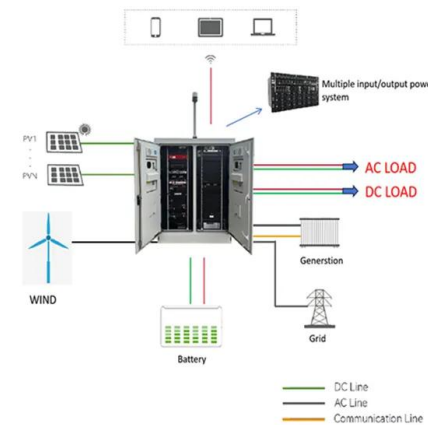
Thailand's Clean Energy Plan to Generate B2.9tn by 2037, Solar ...

Thailand's newly unveiled National Energy Plan (NEP) aims to drive 2.9 trillion baht in capital spending by 2037, focusing on clean energy to cut carbon emissions, with solar energy playing a



major role. The 2024 NEP, which includes a comprehensive power development, oil, gas, alternative energy, and energy efficiency strategy, will guide the country's transition ...

BEF , Sustainability Products and Services focuses on collaborating to conserve, restore and revitalize freshwater; creating credible climate solution for business and industry; and finding opportunities for an equitable clean energy future. Clean Water. Renewable Energy. Renewable Energy Certificates. Water Restoration Certificates. Carbon Offsets



Growth performance and ruminal fermentation characteristics of Thai

Eight Thai-native beef bulls (170.3 ± 20.2 kg of initial body weight) were randomly assigned to two treatment groups in a completely randomized design: cassava pulp ensiled without additives (CPFNO; $n = 4$) and cassava pulp ensiled with the combination of LTH14 (2.5 g per ton of fresh material), urea (4% DM), and molasses (4% DM) (CPFWA; $n = 4$).

[Thailand Beef Market \(2021\)](#)

6.2.4 Thailand Beef Market Revenues & Volume, By Others, 2018 - 2027F. 7 Thailand Beef Market Import-Export Trade Statistics. 7.1 Thailand Beef Market Export to Major Countries. 7.2 Thailand Beef Market Imports from Major Countries. 8

Thailand Beef Market Key Performance Indicators. 9 Thailand Beef Market - Opportunity Assessment



[Authentic Thai Beef Larb Recipe](#)

This authentic Thai beef larb recipe is a super tasty and popular dish from Isaan (Northeastern)Thailand. It's a flavorful salad made with near-raw, thinly sliced beef. This tasty Thai larb has a wonderful assortment of fresh ...

Clean Energy Finance and Investment Roadmap of Thailand

The Clean Energy Finance and Investment Roadmap of Thailand ("the Roadmap") outlines key actions to unlock finance and investment in two clean energy sectors: (i) renewable power, with special attention to small-scale renewable power systems; and (ii) energy efficiency in ...



Accelerating the enforcement of BEC regulations for ...

The Department of Alternative Energy Development and Efficiency (DEDE) is accelerating the enforcement of the Building Energy Code (BEC) for new constructions and renovations. These structures are required to ...



Thailand's New Building Energy Code (BEC) Law Effective from ...

Thailand's New Building Energy Code (BEC) Law Effective from 13 Mar '23 01 June 2023 SHARE. Facebook Twitter LinkedIn Telegram Whats App Reddit Line. Property News Recently, the Ministry of Energy by the Department of Energy Development and Efficiency (DEDE) has determined that condos in Bangkok-perimeter around must be designed according ...



ESS



[Authentic Thai Beef and Broccoli Recipe](#)

Authentic Thai beef stir-fry recipes. Thai black pepper beef stir-fry; Beef pad see ew; Nua pad prik (Thai chili beef) Pad horapa; Loved reading this authentic Thai beef and broccoli recipe? Please make my day by dropping a star rating and a comment below! Follow me on social media: Facebook, Instagram, and Pinterest.

Powering on: Thailand energy plan sparks a 2.9 trillion baht boost

Picture courtesy of Bangkok Post . Thailand's new National Energy Plan (NEP) aims to drive significant investment and promote clean energy, with a projected 2.9 trillion baht in capital spending over the next 13 years. Central to this initiative is the emphasis on solar energy to reduce carbon dioxide emissions.



Thailand's renewable energy plan boosts battery storage



systems

Thailand's 2024 power development plan (PDP) aims to increase renewable energy use, highlighting the importance of BESS alongside solar panels and wind turbines. This could create new business opportunities for entrepreneurs if prices decrease or new technologies emerge for stationary batteries.. Somchai Homklinkaew, from the Metropolitan Electricity ...

Thailand's New Building Energy Code (BEC) Law ...

Recently, the Ministry of Energy by the Department of Energy Development and Efficiency (DEDE) has determined that condos in Bangkok-perimeter around must be designed according to the Building Energy Code ...



[Thailand: Energy Country Profile](#)

Thailand: Energy intensity: how much energy does it use per unit of GDP? Click to open interactive version. Energy is a large contributor to CO 2 - the burning of fossil fuels accounts for around three-quarters of global greenhouse gas emissions. So, reducing energy consumption can inevitably help to reduce emissions.

[Thai Hot and Spicy Beef](#)

Beef - Opt for a tender cut like sirloin, tenderloin, flank steak, ribeye, or top round.; Thai red curry paste - For store bought alternatives, try Maesri or Mae Ploy brand.; Kaffir lime leaves - These aromatic leaves are a key ingredient in Thai cuisine, taking countless Thai food and this hot and spicy stir-fry to a new level of deliciousness with their citrusy fragrance.



Driving economic growth: Thailand's quest for clean energy

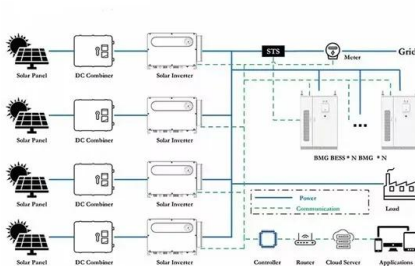


Photo courtesy of Bangkok Post . The call to action resonates through Thailand's corridors of power as demands surge for the nation to lead the clean energy revolution across the region, igniting economic growth.. Burin Adulwattana, the managing director and chief economist at Kasikorn Research Centre (K-Research), underscores the urgency of this ...

Selection of plant oil as a supplemental energy source by ...

...

Objective. The present study was conducted to select a plant oil without inhibitory effects on rumen fermentation and microbes, and to determine the optimal supplementation level of the selected oil in a series of in vitro studies for dietary application. Then, the selected oil was evaluated in a feeding study using Thai crossbred beef cattle by ...



Thailand Powers Up: New Renewable Energy ...

The 2024 updates to Thailand's renewable energy regime reflect a strategic shift toward more flexible, investor-friendly policies, underpinned by the government's commitment to sustainability. With the introduction of Direct ...

[I1745E.qxd:BEFS_Thai](#)

The Government of Thailand, through its Alternative Energy Development Plan, has set a target to increase biofuel production to five billion litres by 2022. The Thai Government sees this expansion as a way to strengthen the country's energy security, foster rural development and reduce ...



[Ministry Of Energy](#)

Thailand's regional energy database .
Geographic Information (GIS) Ministry
Announcement . Procurement Ministry of Energy
Announcement Recruit . See All . 18. 12. 2024.
??
????? 18 ???????

Feed intake, digestibility and energy partitioning in beef cattle fed

Objective: This study was conducted to assess the effects of replacing rice straw with different proportions of cassava pulp on growth performance, feed intake, digestibility, rumen microbial population, energy partitioning and efficiency of metabolizable energy utilization in beef cattle. Methods: Eighteen yearling Thai native beef cattle (*Bos indicus*) with an average initial body ...



Contact Us

For catalog requests, pricing, or partnerships, please visit:
<https://ian-solar.co.za>