

## Solar Energy South Africa

# United Kingdom 1000 mw solar power plant cost



## Overview

---

The Department for Energy Security and Net Zero published revised estimates of levelised costs on Friday, outlining the average cost per megawatt-hour generated over the lifetimes of various forms of energy generation, including offshore wind and combined-cycle gas turbines (CCGTs).[1].

The Department for Energy Security and Net Zero published revised estimates of levelised costs on Friday, outlining the average cost per megawatt-hour generated over the lifetimes of various forms of energy generation, including offshore wind and combined-cycle gas turbines (CCGTs).[1].

The key variables collected are the cumulative capacity of the solar PV systems installed (disaggregated by the size of the PV systems) and the disaggregated cost of the solar PV systems in the UK (including, e.g., development costs, module costs, operation and maintenance costs, etc.).

Table 4: Key Cost Structure Elements of Photovoltaic (Solar PV) Power Plant in the United Kingdom in 2024 63 Table 5: Database with Major Operational, Under Construction and Planned Photovoltaic (Solar PV) Projects in the United Kingdom 66.

costs varied between PV categories ranging from £60/kW to £15/kW for a PV 1-5MW ground and building mounted system respectively. Pre-development includes pre-licencing, technical design.

A surge in public support will push up non-panel costs – and thus total capex costs. Moreover, the average annual level of opex costs per MW of capacity for solar plants is three to four times the official assumptions at about £36,500 for a plant in the size category of 10-20 MW. How much energy do solar panels generate a year?

Annual generation was 14 TWh in 2022 (4.3% of UK electricity consumption) and peak generation was more than 11 GW. PV panels have a capacity factor of around 10% in the UK climate. Home rooftop solar panels installed in 2022 were estimated to pay back their cost in ten to twenty years.

Is 20MW a big solar farm?

While substantial by older standards, 20MW is still relatively small compared to many solar farms that are now in the pipeline. The largest to be approved so far is EDF's Longfield project in Essex, with a planned capacity of 400MW.

Is solar power a game-changer for the UK's energy landscape?

Solar power is a game-changer for the UK's energy landscape. As the country aims to reduce its dependence on fossil fuels and meet climate change mitigation goals, solar power offers a renewable and low-carbon solution.

Where will solar farms be based in 2024?

In early 2024, our first three utility scale (50MW) solar farms will become operational in Anglesey, Lincolnshire and Cambridgeshire. We have worked closely with the communities in each of these areas and look forward to celebrating with them and supporting local initiatives via the community benefit schemes in place for each.

Is solar power a good investment?

Solar power also offers job creation and investment opportunities. The UK solar industry currently employs more than 6,500 people, which could increase to over 42,000 if the UK commits to 40GW of solar power by 2030 (Solar Energy UK).

## United Kingdom 1000 mw solar power plant cost

---



### What Does a 10 MW Solar Power Plant Cost?

Key Components of a 10 MW Solar Power Plant. Setting up a 10 MW solar power plant involves several critical components, each playing a specific role in ensuring the plant's efficiency and effectiveness. Below is a detailed look at these essential parts: Solar Panels. Solar panels are the most visible and crucial components of a solar power plant.

### United Kingdom Solar Photovoltaic (PV) Power Market Outlook ...

Table 4: Key Cost Structure Elements of Photovoltaic (Solar PV) Power Plant in the United Kingdom in 2024 63 Table 5: Database with Major Operational, Under Construction and Planned Photovoltaic (Solar PV) Projects in the United Kingdom 66 Table 8: Project Costs and Savings (Income) Summary of 50 MW Photovoltaic (Solar PV) Power Plant



### [1 Megawatt Solar Power Plant Cost](#)

The overall 1 MW solar power plant cost is influenced by multiple factors such as the choice of solar panels, inverters, and additional infrastructure required. The cost of a 1 MW solar panel varies based on the brand, quality, ...

## 1 Megawatt Solar Power Plant Cost

The overall 1 MW solar power plant cost is influenced by multiple factors such as the choice of solar panels, inverters, and additional infrastructure required. The cost of a 1 MW solar panel varies based on the brand, quality, and type of panel chosen.. Key Specifications of a 1 MW Solar Plant: Key Components: Solar panels, solar mounting structure, solar inverter, ...



PUSUNG-R (Fit for 19 inch cabinet)

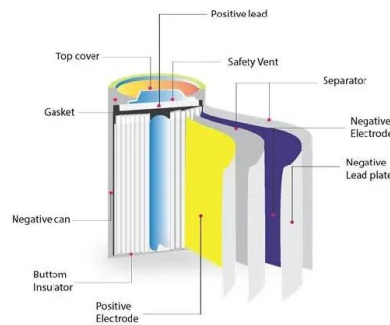


## All About 1 MW Solar Power Plant: Price, Specifications & More

High-capacity systems of over 100kW are called Solar Power Stations, Energy Generating Stations, or Ground Mounted Solar Power Plants. A 1MW solar power plant of 1-megawatt capacity can run a commercial establishment independently. This size of solar utility farm takes up 4 to 5 acres of space and gives about 4,000 kWh of low-cost electricity every day.

## Setting Up a 10 MW Solar Power Plant: Costs, ...

Costs include the initial setup, finding and buying land, and running the farm. For a 10 MW solar farm, these costs are especially important for both investors and developers. Initial Investment and Cost Breakdown for ...



## 1 MW Solar Plant in India: Cost, Generation and Incentives

A solar power plant is a fixed-cost asset with an average lifespan between 25-30 years. Through



this resource, a business gets free clean energy generation for a long time. 5. Lower Carbon Footprint Thus, a 1000kW or 1 MW plant would generate:  $4 \times 1000 = 4,000$  units in a day  $4 \times 1000 \times 30 = 1,20,000$  units in a month.

## UK solar costs plummeting beyond forecasts, as

Citing new analysis conducted by the association alongside its members over the last six months, the STA now forecasts that next year ground-mount solar cost of generation is to sit between £50 and £60/MWh, ...



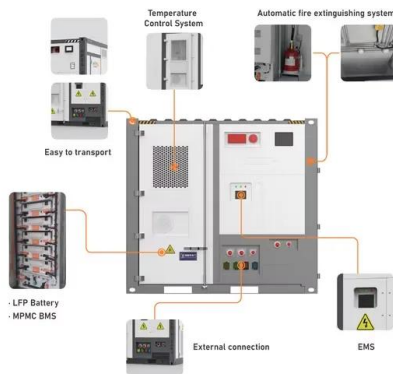
## Levelized cost estimates of solar photovoltaic electricity in the

Levelized cost estimates of solar photovoltaic electricity in the United Kingdom until 2035. obtained planning permission to set up a subsidy-free 350-MW solar farm, The results suggested that the highest costs in power plant lifetime come from construction (48%) and operation and maintenance (23%), while disposal costs are only

## 1MW Solar Power Plant Cost , An Investment ...

Let's explore an approximate cost distribution for a 1MW solar power plant: Solar Panels: \$400,000 - \$600,000; Land: \$100,000 - \$500,000 (lease or purchase) Labor and Installation: \$200,000 -

\$400,000; Equipment ...



## Low Carbon plans a 500 MW solar PV+storage project in Kent (United Kingdom)

The UK renewable project company Low Carbon has entered the early stages of development for its new South Kent Energy Park project on Romney Marsh, Kent (United Kingdom), which would include a 500 MW solar and energy storage park and a 500 MW battery energy storage system (BESS). The PV power plant would generate around 460 GWh/year of ...

## Financial Modeling of 1MW Solar Captive Power Plant in Excel

Learn Financial Modeling and Sensitivity Analysis of 1 MW Solar Captive Power Plant. Rating: 4.0 out of 5 4.0 (24 ratings) 149 students. Created by Kiran Ramkrishna Beldar. Last updated 4/2022. English. Preview this course. What you'll learn. Financial Modeling of 1MW of Solar Power Plant considering Capex Model.



## A BEGINNER'S GUIDE TO 1 MW SOLAR POWER PLANT

A 1 MW solar power plant can be expanded by



adding more solar panels, allowing for future growth and adapting to changing energy needs. Job Creation And Economic Benefits: The development and operation of a 1 MW solar power plant create employment opportunities across various stages, including manufacturing, installation, maintenance, and

## 1 MW Solar Power Plant Specifications and Price in ...

Investment in a 1 MW solar power plant in India is a serious step towards energy independence and sustainability. Although its initial investment is a bit on the higher side, long-term benefits in terms of savings ...



## How Much is 1 MW of Electricity Worth? A Deep Look into Usage, Costs ...

A 100 MW solar PV system costs around \$376 million total installed, or \$3.76 per Watt, (1000 MW) could power 750,000 US homes for a year, according to CNET. The average US home uses 10,632 kWh annually, around 1011 kW-hours, via the EIA. A 50 MW solar plant could power about 9000 homes at typical usage of 1.35 kW per home, [KCET ](<https://www.kcet.org/>)

## A Guide On 1 MW Solar Power Plant: Types, Cost, ...

A 1 MW solar power plant is a solar system that operates with a 1-megawatt capacity. It can be considered as a Ground Mounted Solar Power Plant or Solar Power Station, as it requires

significant space.. These solar ...

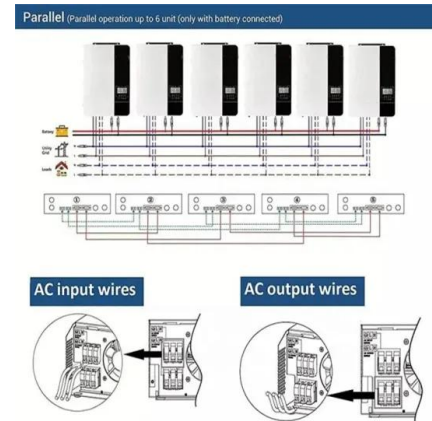


## Solar Plant Setup Cost in India: A Comprehensive Guide

Discover the solar plant setup cost in India and learn how solar power plant in India. Explore the costs of land, infrastructure, and equipment for a solar power plant in India. Sustainable Energy for Sustainable Future. Home; the total cost for setting up a 1 MW solar plant in India can range from approximately INR5.5 to INR7.5 crores

## (PDF) Design of 100MW Solar PV on-Grid Connected Power Plant Using

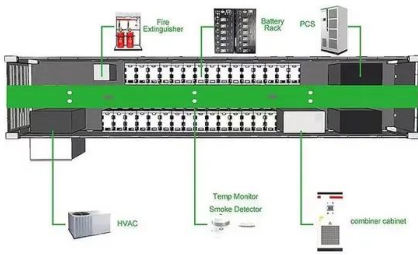
The amount of electricity that a solar PV plant generates is 100 MW. This amount could be used to reduce the load of Saudi electricity company (SEC) and help to minimize the annual electricity



## [Nuclear Power in the United Kingdom](#)

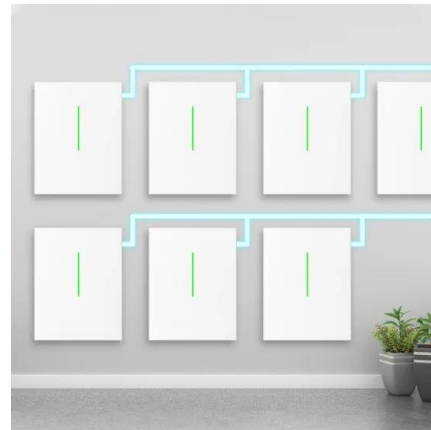
In the late 1990s, nuclear power plants contributed around 25% of total annual electricity generation in the UK, but this has gradually declined as old plants have been shut down and ageing-related problems affect plant

availability. There is a 2000 MW high-voltage DC connection with France, a 1000 MW one with the Netherlands, a 1000 MW one



## [1 MW Solar Power Plant Project Report](#)

How much land is required for a 1 MW solar power plant? Typically, 4 to 5 acres of land are required for a 1 MW solar power plant, depending on the type of solar panels and layout. 2. What is the cost of setting up a 1 MW solar power plant? The cost ranges between INR4.5 crore to INR6 crore, depending on location, technology, and other factors. 3.



## **Commercial Scale Solar Power Generation (5MW to 50 MW) ...**

Commercial Scale Solar Power Generation (5MW to 50 MW) and its Connection to Distribution Power Network in the United Kingdom Mondol, J., & Jacob, G. (2018). Commercial Scale Solar Power Generation (5MW to 50 MW) and its Connection to Distribution Power Network in the United Kingdom. *Journal of Solar Energy Research Updates*, 5, 25-38.

## **1 Megawatt Solar Power Plant Cost: A Complete Guide**

A megawatt solar power plant generates around 1,000 kilowatts of power at peak production, enough to support the energy needs of large

industrial facilities or commercial spaces. The benefits of investing in a solar power plant of this size are numerous, including reduced electricity bills, improved energy security, and a smaller carbon footprint.



## Cost of capital in different countries for a 100 MW Solar PV ...

Cost of capital in different countries for a 100 MW Solar PV project, 2019-2022 - Chart and data by the International Energy Agency. Cost of capital in different countries for a 100 MW Solar PV project, 2019-2022 - Chart and data by the International Energy Agency. United Kingdom; United States; Accession countries. Chile; Colombia; Costa

## Contact Us

---

For catalog requests, pricing, or partnerships, please visit:  
<https://ian-solar.co.za>